

Service
Service
Service



Service Manual

TABLE OF CONTENTS

Handling chip components1-1
 Technical specification.....1-2
 Service tools1-2
 Service measurement setup.....1-3
 Connections and controls.....2-1...2-2

 Disassembly diagram3-1
 Service Test Program.....4-1
 Pin description of ICs.....4-2...4-3
 Set block diagram.....5-1
 Set wiring diagram.....5-2

FRONT BOARD
 circuit diagram6-1
 layout diagram6-1

LCD / KEY BOARD
 circuit diagram7-1
 layout diagram7-2

TUNER BOARD
 circuit diagram8-1
 layout diagram8-2
 tuner adjustment table8-2

CD99/MP3 BOARD
 circuit diagram I9-1
 circuit diagram II9-3
 layout diagram9-4



MP3 DECODER BOARD
 circuit diagram10-1
 layout diagram10-2

AUDIO BOARD
 circuit diagram11-1...11-2
 layout diagram11-3...11-4

OTHER BOARDS
 Volume board12-1
 CD Key board12-2
 Power key board.....12-2
 FM ant board12-3
 headphone jack board12-3

 Exploded view.....13-1
 Mechanical partslist13-2

 Electrical partslist.....14-1...14-15



© Copyright 2001 Philips Consumer Electronics B.V. Eindhoven, The Netherlands
 All rights reserved. No part of this publication may be reproduced, stored in a retrieval system or transmitted, in any form or by any means, electronic, mechanical, photocopying, or otherwise without the prior permission of Philips.

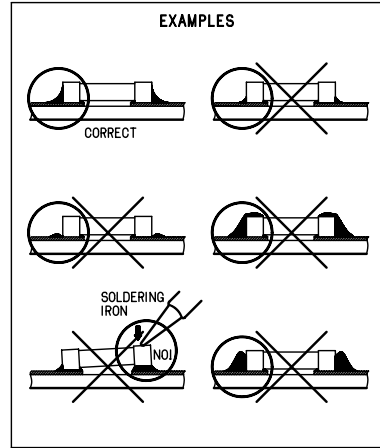
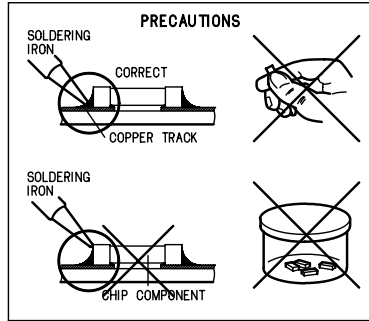
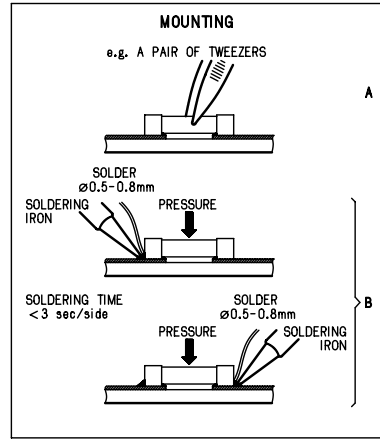
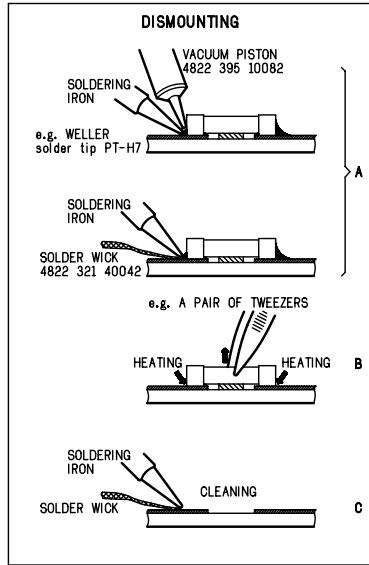
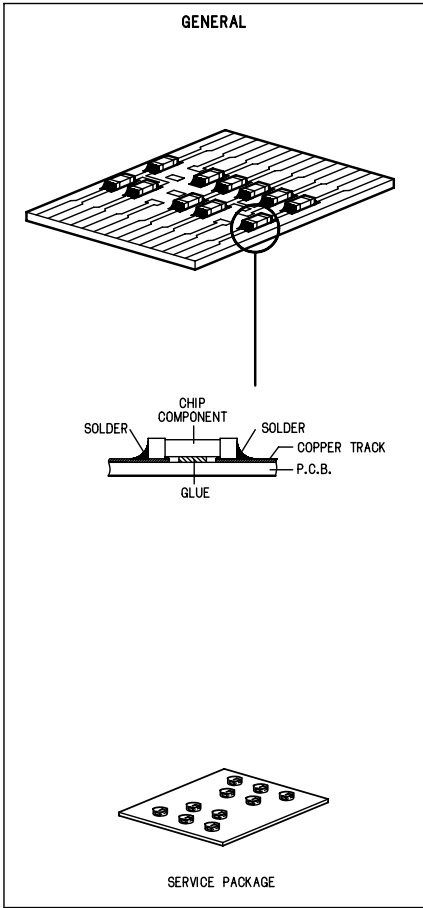
Published by YT 0209 Service Audio Printed in The Netherlands Subject to modification

GB 3140 785 22740



PHILIPS

HANDLING CHIP COMPONENTS



GB WARNING
All ICs and many other semiconductors are susceptible to electrostatic discharges (ESD). Careless handling during repair can reduce life drastically.
When repairing, make sure that you are connected with the same potential as the mass of the set via a wristband with resistance. Keep components and tools at this potential.



NL WAARSCHUWING
Alle IC's en vele andere halfgeleiders zijn gevoelig voor electrostatische ontladingen (ESD).
Onzorgvuldig behandelen tijdens reparatie kan de levensduur drastisch doen verminderen. Zorg ervoor dat u tijdens reparatie via een polsband met weerstand verbonden bent met hetzelfde potentiaal als de massa van het apparaat.
Houd componenten en hulpmiddelen ook op ditzelfde potentiaal.

F ATTENTION
Tous les IC et beaucoup d'autres semi-conducteurs sont sensibles aux décharges statiques (ESD). Leur longévité pourrait être considérablement écourtée par le fait qu'aucune précaution n'est prise à leur manipulation.
Lors de réparations, s'assurer de bien être relié au même potentiel que la masse de l'appareil et enfilez le braceleterti d'une résistance de sécurité.
Veiller à ce que les composants ainsi que les outils que l'on utilise soient également à ce potentiel.

D WARNUNG
Alle ICs und viele andere Halbleiter sind empfindlich gegenüber elektrostatischen Entladungen (ESD).
Unvorsichtige Behandlung im Reparaturfall kann die Lebensdauer drastisch reduzieren.
Sorgen Sie dafür, daß Sie im Reparaturfall über ein Pulsarmband mit Widerstand mit dem Massepotential des Gerätes verbunden sind.
Halten Sie Bauteile und Hilfsmittel ebenfalls auf diesem Potential.

I AVVERTIMENTO
Tutti IC e parecchi semi-conduttori sono sensibili alle scariche statiche (ESD).
La loro longevità potrebbe essere fortemente ridatta in caso di non osservazione della più grande cauzione alla loro manipolazione. Durante le riparazioni occorre quindi essere collegato allo stesso potenziale che quello della massa dell'apparecchio tramite un braccialeto a resistenza.
Assicurarsi che i componenti e anche gli utensili con quali si lavora siano anche a questo potenziale.

GB
Safety regulations require that the set be restored to its original condition and that parts which are identical with those specified be used.
Safety components are marked by the symbol ▲

SAFETY



F
Les normes de sécurité exigent que l'appareil soit remis à l'état d'origine et que soient utilisées les pièces de rechange identiques à celles spécifiées.
Les composants de sécurité sont marqués ▲

D
Bei jeder Reparatur sind die geltenden Sicherheitsvorschriften zu beachten. Der Originalzustand des Gerätes darf nicht verändert werden. Für Reparaturen sind Originalersatzteile zu verwenden.
Sicherheitsbauteile sind durch das Symbol ▲ markiert.

NL
Veiligheidsbepalingen vereisen, dat het apparaat in zijn oorspronkelijke toestand wordt teruggebracht en dat onderdelen, identiek aan de gespecificeerde, worden toegepast.
De Veiligheidsonderdelen zijn aangeduid met het symbool ▲

I
Le norme di sicurezza estigono che l'apparecchio venga rimesso nelle condizioni originali e che siano utilizzati i pezzi di ricambio identici a quelli specificati.
Componenti di sicurezza sono marcati con ▲

GB DANGER: Invisible laser radiation when open. AVOID DIRECT EXPOSURE TO BEAM.



S Varning !
Osynlig laserstrålning när apparaten är öppnad och spårren är urkopplad. Betrakta ej strålen.

DK Advarsel !
Usynlig laserstrålning ved åbning når sikkerhedsafbrydere er ude af funktion. Undgå udsættelse for strålning.

FIN Varoituis !
Avatussa laitteessa ja suojaulukituksen ohitettaessa olet alttiina näkymättömälle laserisäteilylle. Älä katso säteeseen !

GB
After servicing and before returning the set to customer perform a leakage current measurement test from all exposed metal parts to earth ground, to assure no shock hazard exists.
The leakage current must not exceed 0.5mA.

F
"Pour votre sécurité, ces documents doivent être utilisés par des spécialistes agréés, seuls habilités à réparer votre appareil en panne".

SPECIFICATIONS

GENERAL

Mains voltage	-/00 : 230 V
	-/01/11 : 120 / 230 V
	-/17 : 120 V
Mains frequency	-/00 : 50 Hz
	-/01/11 : 50 / 60 Hz
	-/17 : 60 Hz
Battery	mains : 12 V (R20 x 8)
	remote : 3 V (R6 x 2)
Power consumption	: 35 W
Dimension (W x H x D)	: 520 x 160 x 296 mm
Weight	: 5.7 Kg

AMPLIFIER

Output power	mains : 2 x 6.5 W
	battery : 2 x 6.5 W
Speaker impedance	: 2 x 8 ohm, 16W Woofer
	2 x 6 ohm, 8W Tweeter
Frequency response	: 100 Hz - 10 kHz (± 3 dB)
Treble control	: +8 / -14 dB @ 10 kHz
Bass control	: +10 / -10 db @100 Hz

COMPACT DISC

Frequency response	: 20 Hz - 20 kHz
S/N ratio	: 60 dB
Distortion	1 kHz : 0.2%
Channel difference	1 kHz : 2 dB
Channel crosstalk	1 kHz : 40 dB
Laser wavelength	: 780 \pm 20 nm
Laser light power	: < 0.3 mW

SERVICE TOOLS

Audio signal disc SBC 429.....	4822 397 30184
Playability test disc SBC 444.....	4822 397 30245
Test disc 5 (disc without errors) +	
Test disc 5A (disc with dropout errors, black spots and fingerprints)	
SBC 426/426A.....	4822 397 30096
Burn in test disc (65 min. 1kHz signal at -30 dB level without "pause").....	4822 397 30155

AVAILABLE ESD PROTECTION EQUIPMENT

anti-static table mat	large 1200x650x1.25mm	4822 466 10953
	small 600x650x1.25mm	4822 466 10958
anti-static wristband		4822 395 10223
connection box (3 press stud connections, 1M Ω)		4822 320 11307
extendible cable (2m, 2M Ω , to connect wristband to connection box)		4822 320 11305
connecting cable (3m, 2M Ω , to connect table mat to connection box)		4822 320 11306
earth cable (1M Ω , to connect any product to mat or to connection box)		4822 320 11308
KIT ESD3 (combining all 6 prior products - small table mat)		4822 310 10671
wristband tester		4822 344 13999

TUNER - FM SECTION

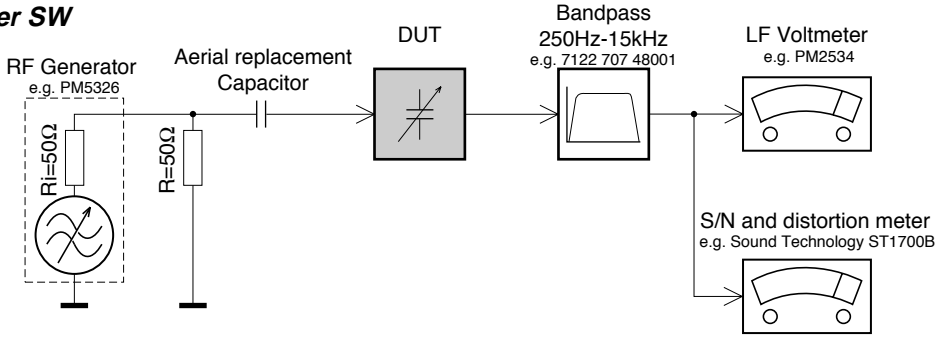
Tuning range	: 87.5 - 108 MHz
IF frequency	: 10.7 MHz \pm 0.03 MHz
Sensitivity	: 18 dB at 26dB S/N
Selectivity	: 24 dB at 300kHz
IF rejection	: 85 dB
Image rejection	: 24 dB

TUNER - AM SECTION

Tuning range	MW : 531 - 1602 kHz
	-/17 : 530 - 1700 kHz
	LW : 153 - 279 kHz
Sensitivity	MW : 3200 μ V/m at 26dB S/N
	LW : 5500 μ V/m at 26dB S/N
Selectivity	MW : 22 dB
	LW : 29 dB
IF rejection	MW : 60 dB
	LW : 60 dB
Image rejection	MW : 32 dB
	LW : 38 dB

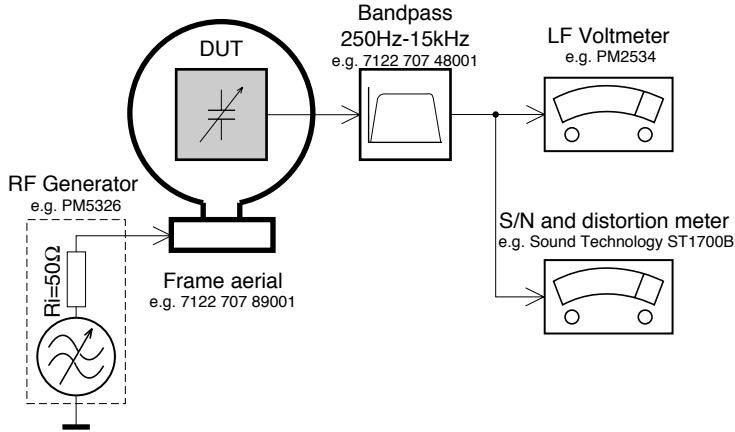
SERVICE MEASUREMENT

Tuner SW



To avoid atmospheric interference all AM-measurements have to be carried out in a Faraday's cage. Use a bandpass filter (or at least a high pass filter with 250Hz) to eliminate hum (50Hz, 100Hz).

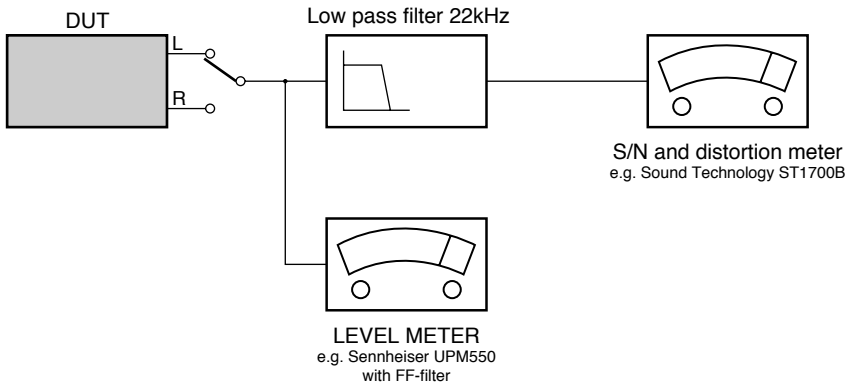
Tuner AM (MW,LW)



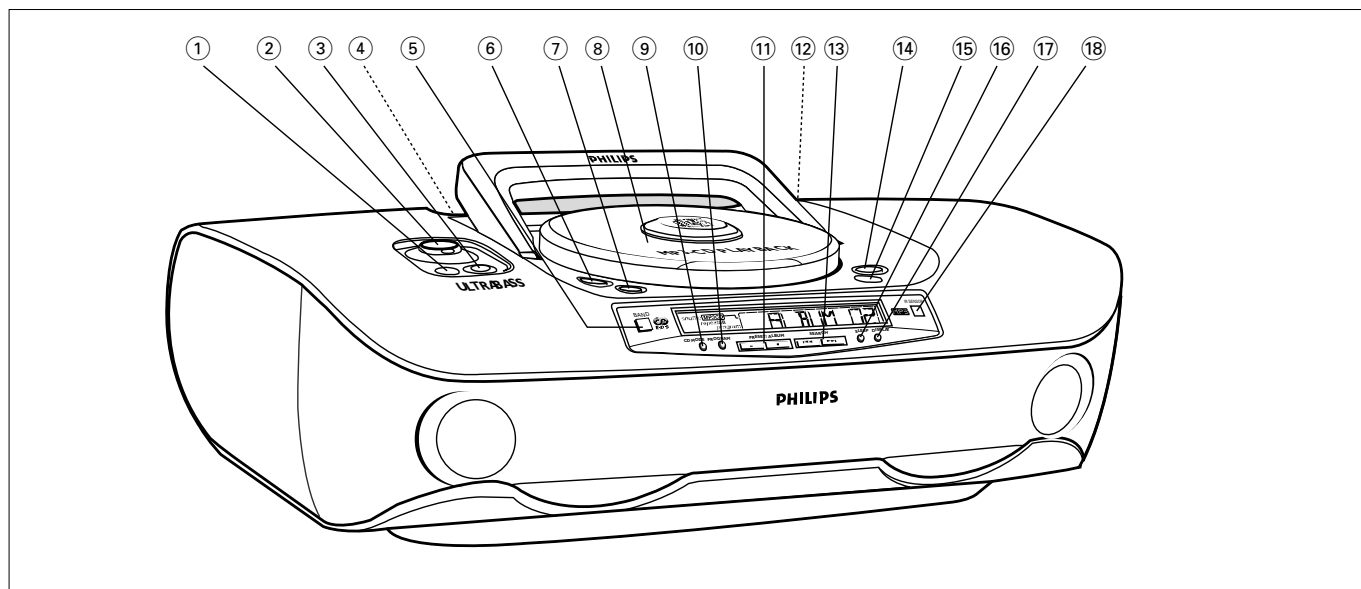
To avoid atmospheric interference all AM-measurements have to be carried out in a Faraday's cage.

CD

Use Audio Signal Disc SBC429 4822 397 30184 (replaces test disc 3)
L.P.F. = 13th order filter 4822 395 30204



CONTROLS



Top and front panels

- 1 BASS/ TREBLE** – enhances bass/treble response
- 2 SOUND CONTROL CENTRE/VOLUME** – adjusts volume level and digital equalizer settings
- 3 ULTRABASS** – enhances bass response
- 4** – 3.5 mm headphone socket
- 5 BAND** – selects FM/ MW (AM)/ LW (some versions only) waveband
- 6 POWER** – switches the set on/off
- Note:** *The set can only be switched on using this button.*
- 7 SOURCE** – selects sound source for CD or TUNER
- 8 MP3-CD/ CD door** – press door to open/ close
- 9 CD MODE** – plays MP3-CD/ CD tracks/ CD/ a program in random order
- repeats a track/ MP3-CD/ CD/ program
- 10 PROGRAM**
MP3-CD/ CD: programs and reviews programmed tracks;
TUNER: programs tuner stations
- 11 PRESET / ALBUM** , **MP3 only:** selects previous/next album
TUNER: selects a previous/next preset station
- 12 Telescopic aerial** – to improve FM reception
- 13 SEARCH** ,

MP3-CD/ CD: fast searches backwards, forwards within a track; skips to previous/ next track

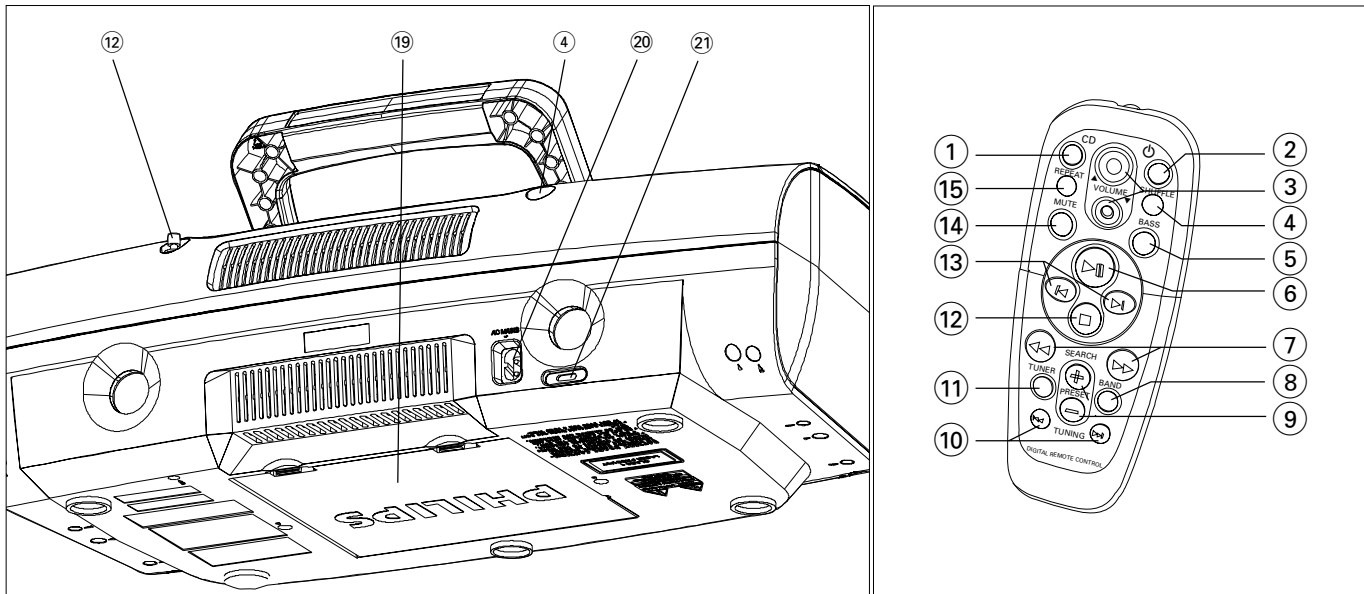
TUNER: tunes radio (manually: down, up); automatic search tuning (down, up)

- 14 PLAY•PAUSE** – starts or pauses MP3-CD/ CD playback
- 15 STOP** – stops MP3-CD/ CD playback; erases a MP3-CD/ CD program
- 16 SLEEP** – selects SLEEP function and adjusts the SLEEP time
- 17 DISPLAY**
MP3-CD: shows various text and time information during playback
TUNER: displays tuner information
- 18 IR SENSOR** – infrared for remote control

Back & Bottom Panel

- 19 Battery door** – open to insert 8 x R-20, UM-1 or D-cells
- 20 AC MAINS** – inlet for power cord
- 21 Voltage selector (some versions only)** – adjust to match the local voltage 110/220V before plugging in the set

CONTROLS



Back Panel

- 17 Telescopic aerial** – to improve FM reception
- 18 Voltage selector** – (inside the battery compartment, not all versions) adjust to match the local voltage 110/220V before plugging in the set
- 19 AC MAINS** – inlet for mains lead
- 20 Battery door** – open to insert 6 x **R-14, UM-2** or **C-cells**

- 7 SEARCH ◀▶** – search within MP3-CD/ CD track

- 8 BAND** – selects FM/ MW (AM)/ LW (some versions only) waveband

- 9 PRESET +, - (up, down)**
MP3-CD: selects an album
TUNER: selects a preset radio station

- 10 TUNING ◀▶ (down, up)** – tunes to tuner stations

- 11 TUNER** – selects tuner sound source

- 12 ■** – stops MP3-CD/ CD playback;
 – erases a MP3-CD/ CD program

- 13 ◀▶** – skips to the beginning of a current track previous/ subsequent track

- 14 MUTE** – interrupts/ resumes sound

- 15 REPEAT** – repeats a track/ program/ entire MP3-CD/ CD

Digital Remote Control

- 1 CD** – selects MP3-CD/ CD sound source
- 2 ⏻** – switches the set off

Note: When the set is switched off, the remote control cannot operate any commands. The set needs to be switched on first via the set's **POWER** ⏻ button.

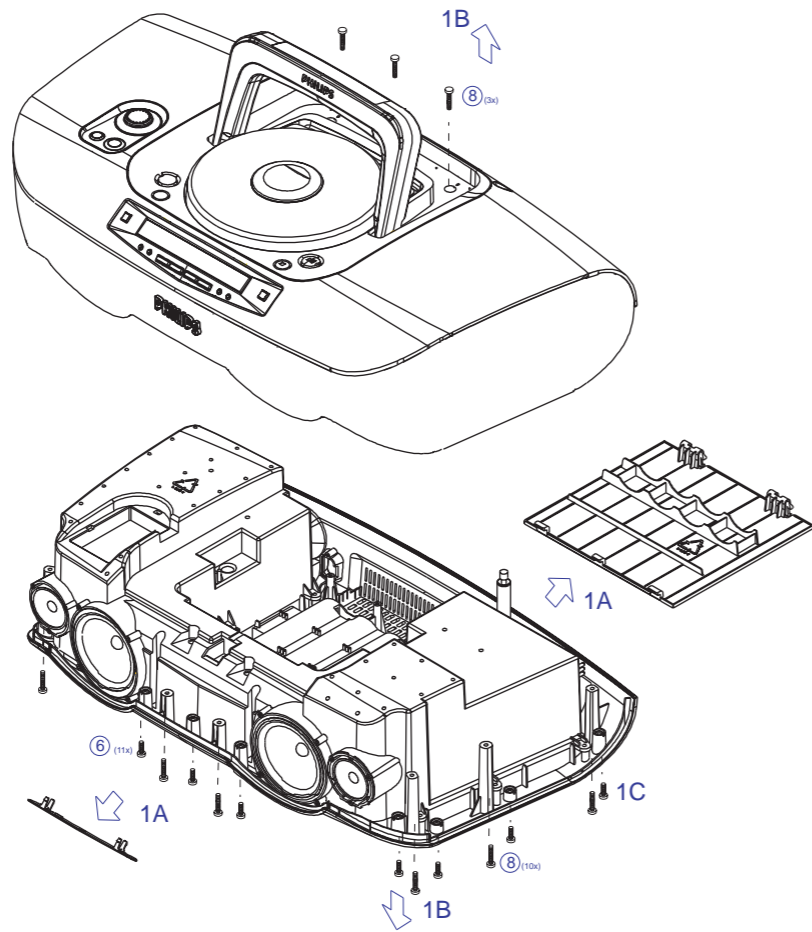
- 3 ▲ VOLUME ▼** – adjusts volume level
- 4 SHUFFLE** – plays all MP3-CD/ CD tracks in random order
- 5 BASS** – selects ULTRABASS on/off
- 6 ▶||** – starts MP3-CD/ CD playback
 – pauses MP3-CD/ CD playback

For more information on operation instruction please visit Philips Audio internet site :
<http://www.audio.philips.com>

DISASSEMBLY DIAGRAM

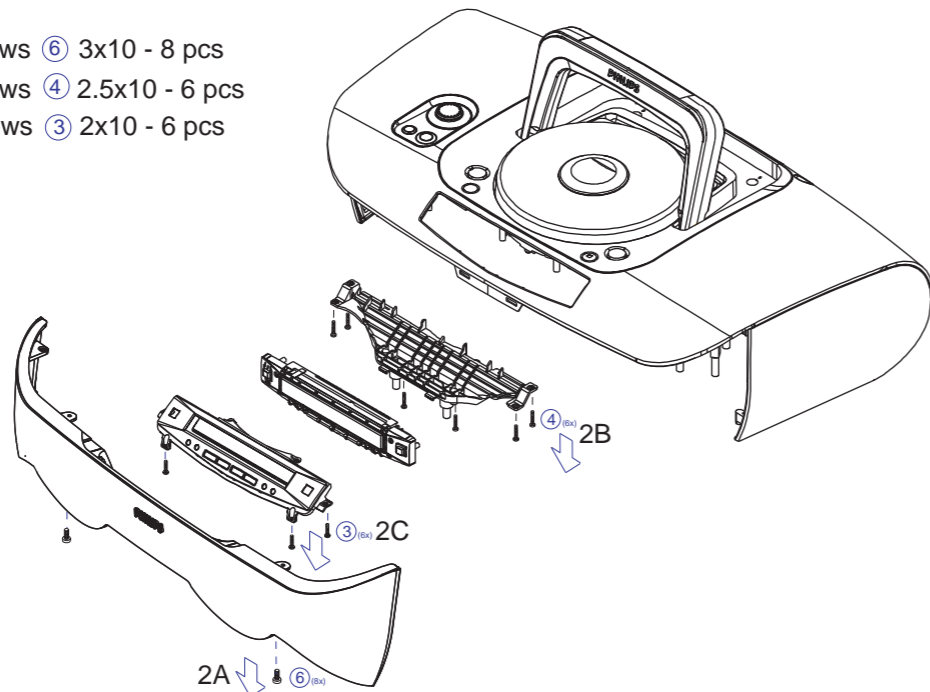
1. TO REMOVE TOP CABINET ASSEMBLY

- A. Remove door-battery (433) and cover-bottom (507)
- B. Remove screws ⑧ 3x16 - 13 pcs
- C. Remove screws ⑥ 3x10 - 11 pcs



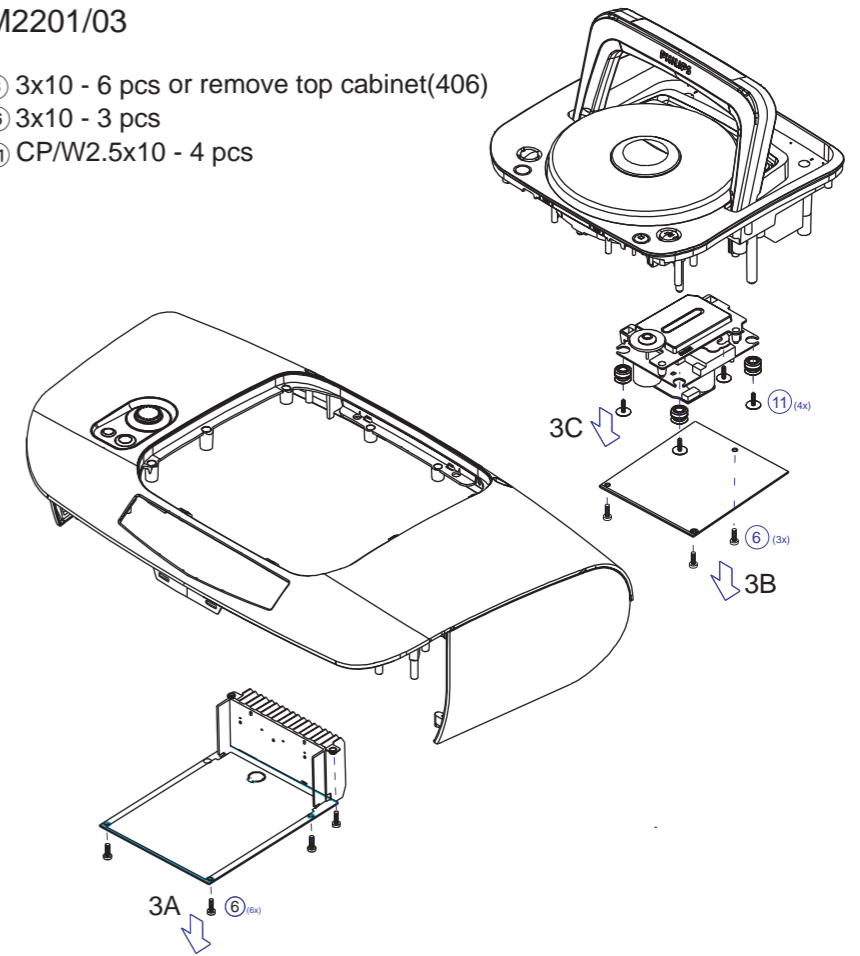
2. TO REMOVE FRONT PANEL ASSEMBLY

- A. Remove screws ⑥ 3x10 - 8 pcs
- B. Remove screws ④ 2.5x10 - 6 pcs
- C. Remove screws ③ 2x10 - 6 pcs



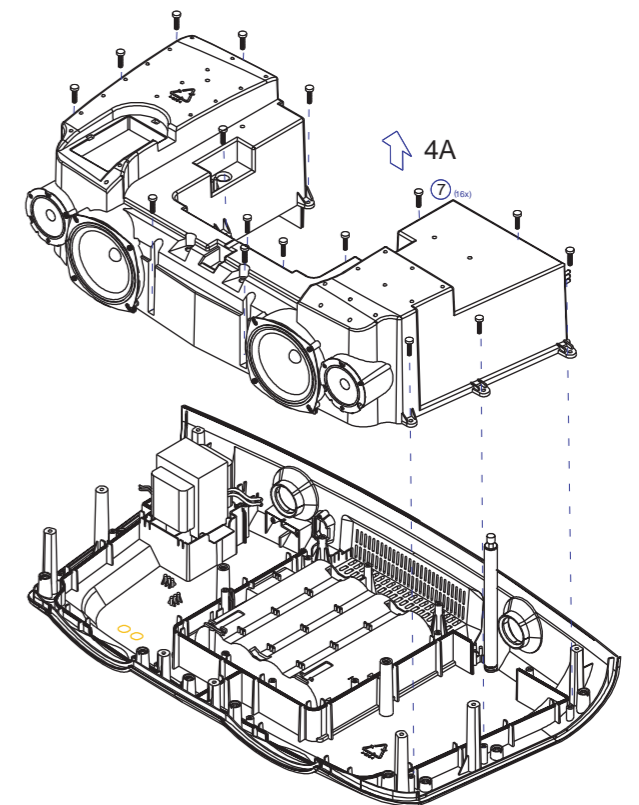
3. TO REMOVE VAM2201/03

- A. Remove screws ⑥ 3x10 - 6 pcs or remove top cabinet(406)
- B. Remove screws ⑥ 3x10 - 3 pcs
- C. Remove screws ⑪ CP/W2.5x10 - 4 pcs



4. TO DISASSEMBLY BOTTOM CABINET ASSY

- A. Remove screws ⑦ 3x12 - 16 pcs



SERVICE TEST PROGRAM

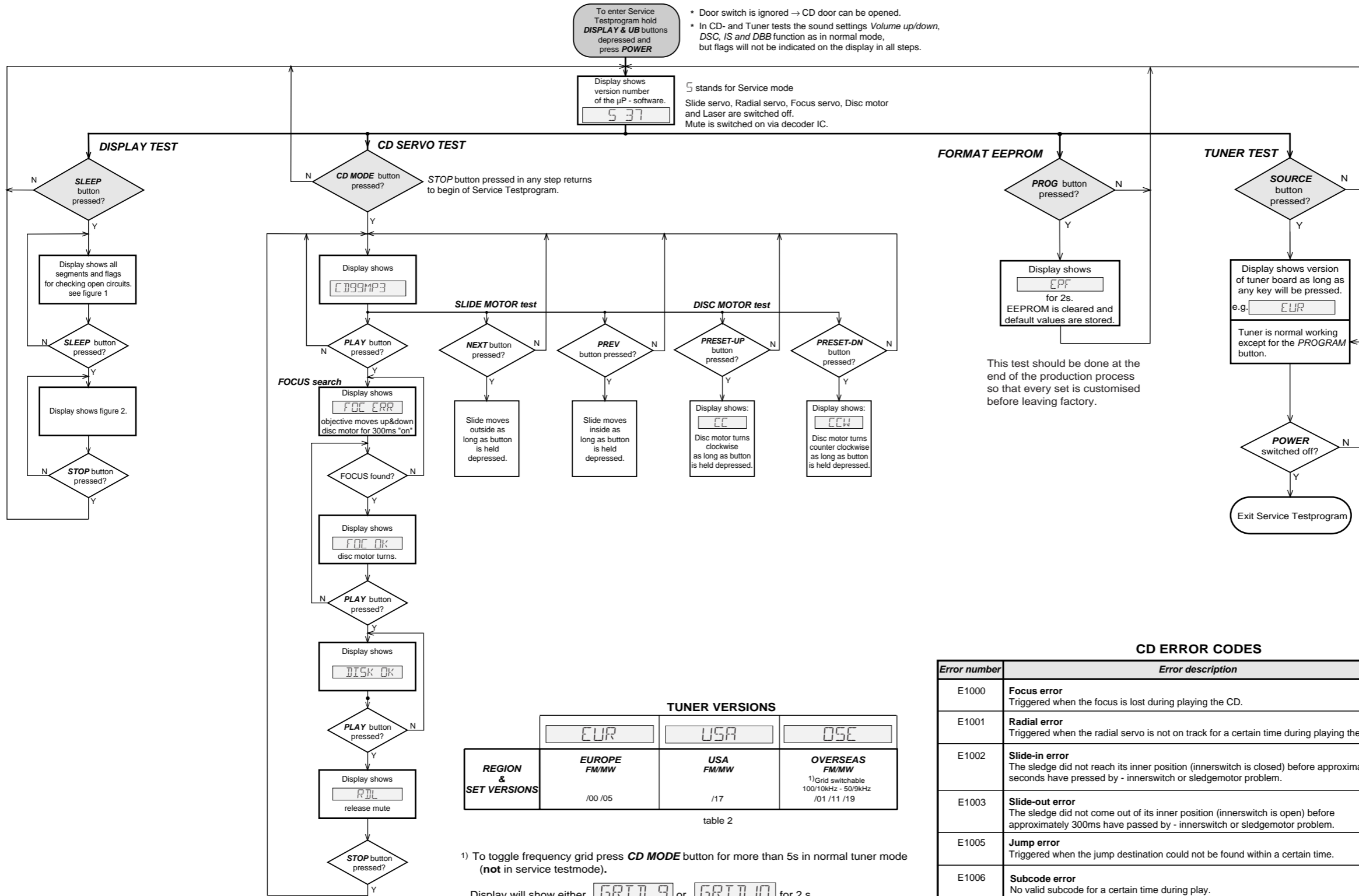


fig. 1



fig. 2

CD ERROR CODES

Error number	Error description	Error type
E1000	Focus error Triggered when the focus is lost during playing the CD.	W
E1001	Radial error Triggered when the radial servo is not on track for a certain time during playing the CD.	W
E1002	Slide-in error The sledge did not reach its inner position (innerswitch is closed) before approximately 6 seconds have passed by - innerswitch or sledgemotor problem.	W
E1003	Slide-out error The sledge did not come out of its inner position (innerswitch is open) before approximately 300ms have passed by - innerswitch or sledgemotor problem.	W
E1005	Jump error Triggered when the jump destination could not be found within a certain time.	W
E1006	Subcode error No valid subcode for a certain time during play.	W
E1007	PLL error The Phase-Lock-Loop could not lock within a certain time.	W
E1008	Turntable motor error Generated when the CD could not reach 75% of speed during start-up within a certain time. Discmotor problem.	W
E1020	Focus search error The focus point has not been found within a certain time.	F

table 1

Error type: W = Warning → set continues operation, message remains on the display until next error occurs or any key is pressed.

F = Fatal Error → set stops operation, message remains on the display.

Abbreviations and Pin-description of CD ICs

SERVO PROCESSOR SAA7325H

SYMBOL	PIN	DESCRIPTION
HFREF	1	comparator common mode input
HFIN	2	comparator signal input
ISLICE	3	current feedback output from data slicer
V _{SSA1}	4 ⁽¹⁾	analog ground 1
V _{DDA1}	5 ⁽¹⁾	analog supply voltage 1
I _{ref}	6	reference current output pin
V _{RIN}	7	reference voltage for servo ADC's
D1	8	unipolar current input (central diode signal input)
D2	9	unipolar current input (central diode signal input)
D3	10	unipolar current input (central diode signal input)
D4	11	unipolar current input (central diode signal input)
R1	12	unipolar current input (satellite diode signal input)
R2	13	unipolar current input (satellite diode signal input)
V _{SSA2}	14 ⁽¹⁾	analog ground 2
CROUT	15	crystal/resonator output
CRIN	16	crystal/resonator input
V _{DDA2}	17 ⁽¹⁾	analog supply voltage 2
LN	18	DAC left channel differential output - negative
LP	19	DAC left channel differential output - positive
V _{neg}	20	DAC negative reference input
V _{pos}	21	DAC positive reference input
RN	22	DAC right channel differential output - negative
RP	23	DAC right channel differential output - positive
SELPLL	24	selects whether internal clock multiplier PLL is used
TEST1	25	test control input 1; this pin should be tied LOW
CL16	26	16.9344 MHz system clock output
DATA	27	serial d4(1)ata output (3-state)
WCLK	28	word clock output (3-state)
SCLK	29	serial bit clock output (3-state)
EF	30	C2 error flag output (3-state)
TEST2	31	test control input 2; this pin should be tied LOW
KILL	32	kill output (programmable; open-drain)
V _{SSD1}	33 ⁽¹⁾	digital ground 2
V2/V3	34	versatile I/O: input versatile pin 2 or output versatile pin 3 (open-drain)
WCLI	35	word clock iutput (for data loopback to DAC)
SDI	36	serial data input (for data loopback to DAC)
SCLI	37	serial bit clock input (for data loopback to DAC)
RESET	38	power-on reset input (active LOW)
SDA	39	microcontroller interface data I/O line (open-drain output)
SCL	40	microcontroller interface clock line input

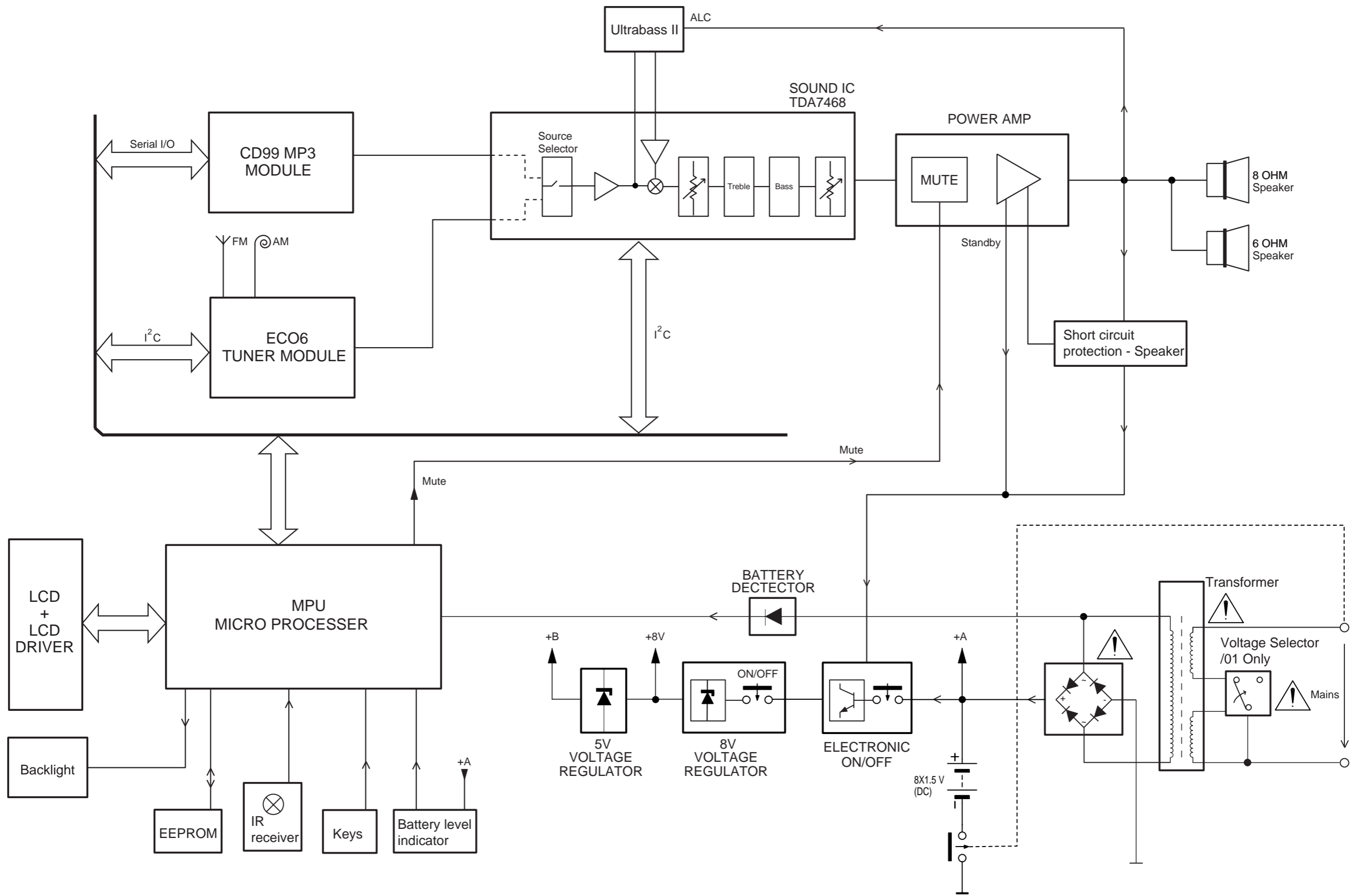
Abbreviations and Pin-description of CD ICs

SERVO PROCESSOR SAA7325H

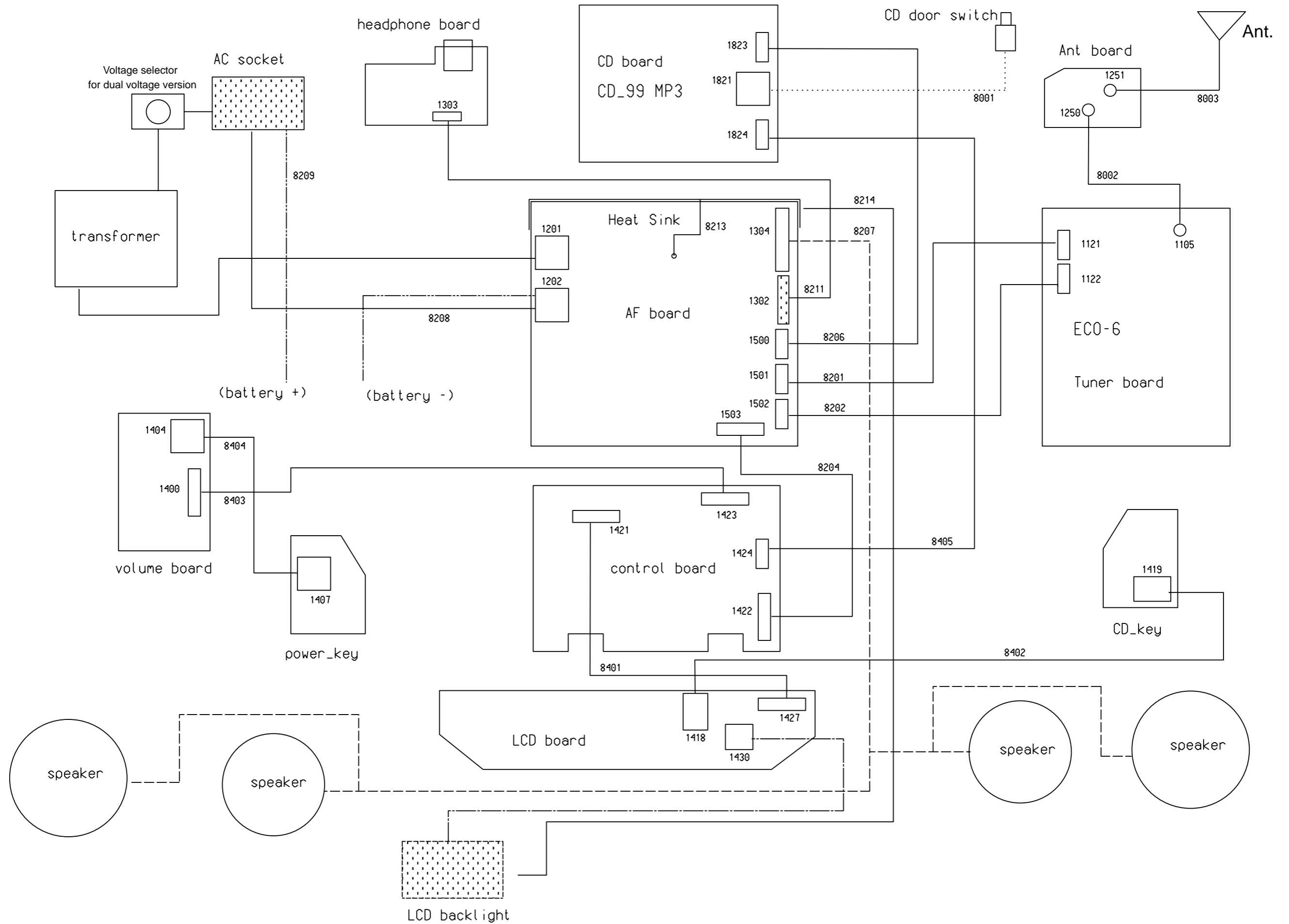
SYMBOL	PIN	DESCRIPTION
RAB	41	microcontroller interface R/W and load control line input (4-wire bus mode)
SILD	42	microcontroller interface R/W and load control line input (4-wire bus mode)
STATUS	43	servo interrupt request line/decoder status register output (open-drain)
TEST3	44	test control input 3; this pin should be tied LOW
RCK	45	subcode clock input
SUB	46	P-to-W subcode bits output (3-state)
SFSY	47	subcode frame sync output (3-state)
SBSY	48	subcode block sync output (3-state)
CL11/4	49	11.2896 MHz or 4.2336 MHz (for microcontroller) clock output
V _{SSD2}	50 ⁽¹⁾	digital ground 3
DOBM	51	bi-phase mark output (externally buffered; 3-state)
V _{DD1(P)}	52 ⁽¹⁾	digital supply voltage 2 for periphery
CFLG	53	correction flag output (open-drain)
RA	54	radial actuator output
FO	55	focus actuator output
SL	56	sledge control output
V _{DD2(C)}	57 ⁽¹⁾	digital supply voltage 3 for core
V _{SSD3}	58 ⁽¹⁾	digital ground 4
MOTO1	59	motor output 1; versatile (3-state)
MOTO2	60	motor output 2; versatile (3-state)
V4	61	versatile output pin 4
V5	62	versatile output pin 5
V1	63	versatile input pin 1
LDON	64	laser drive on output (open-drain)

Note : All supply pins must be connected to the same external power supply voltage.

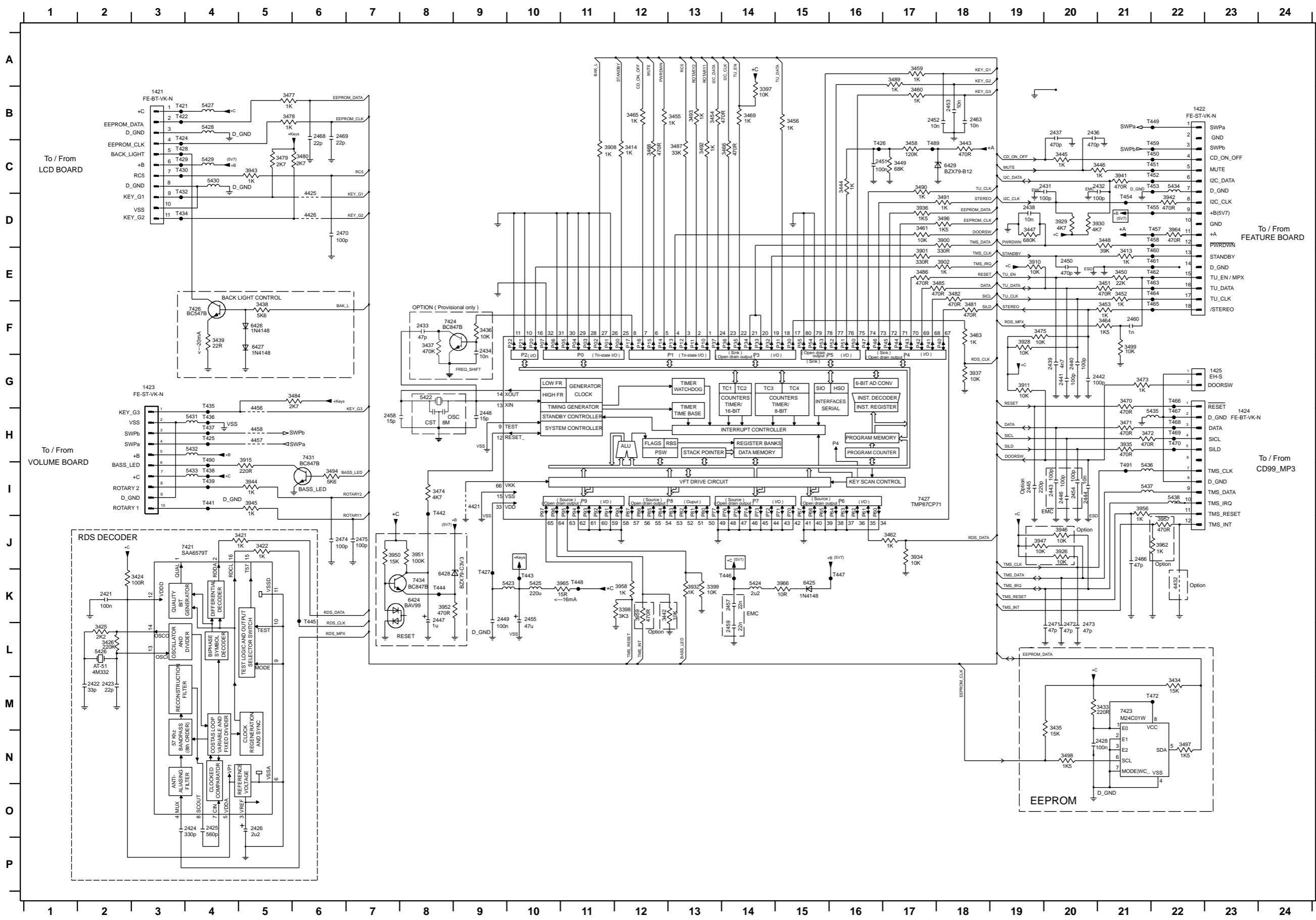
BLOCK DIAGRAM



WIRING DIAGRAM



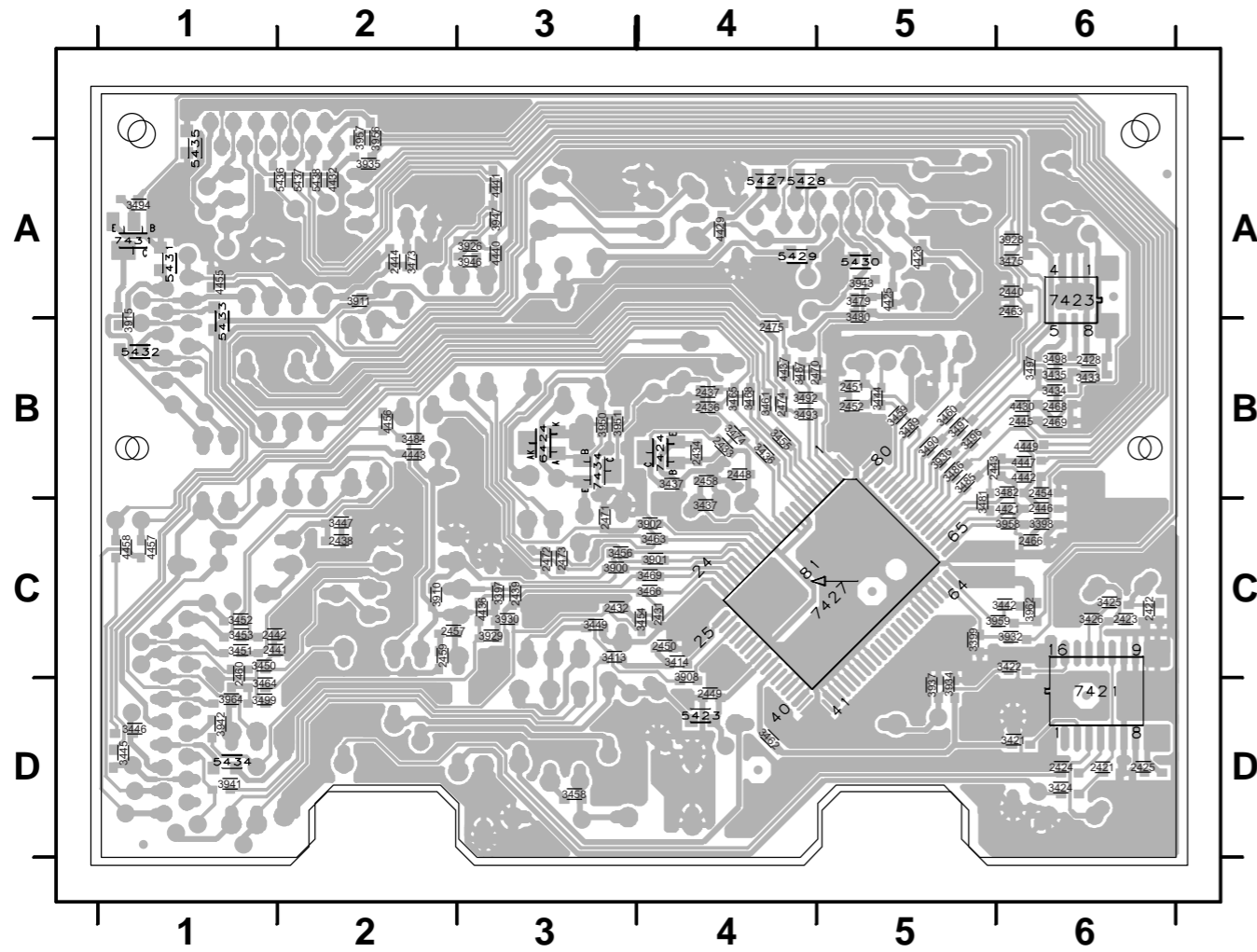
FRONT BOARD - CIRCUIT DIAGRAM



- 1421 B3 3944 I5
- 1422 B22 3945 I5
- 1423 B3 3946 J20
- 1424 H23 3947 J19
- 1425 G23 3950 J7
- 2421 K2 3951 J8
- 2422 M2 3952 K8
- 2423 M2 3953 L2
- 2424 O4 3957 J22
- 2425 O4 3958 K12
- 2426 O5 3959 K12
- 2428 N21 3962 J22
- 2431 C20 3964 D22
- 2432 C21 3965 K11
- 2433 F8 3966 K15
- 2434 F9 4421 B9
- 2436 B20 4425 D6
- 2437 B20 4426 D6
- 2438 D19 4432 K22
- 2439 G20 4435 H5
- 2440 G20 4457 H5
- 2441 G20 4458 H5
- 2442 G21 5422 G8
- 2443 G20 5423 K10
- 2444 G20 5424 K10
- 2445 H9 5425 K14
- 2446 G20 5426 L2
- 2447 K8 5427 B12
- 2448 H9 5428 B4
- 2449 K9 5429 C4
- 2450 E20 5430 C4
- 2451 C16 5431 H4
- 2452 K17 5432 H4
- 2453 B18 5433 I4
- 2454 I20 5434 C22
- 2455 G20 5435 H22
- 2457 K14 5436 I21
- 2458 H7 5437 I21
- 2459 L14 5438 I22
- 2460 F21 6424 K8
- 2463 B18 6425 K15
- 2466 J21 6426 F5
- 2468 B6 6427 F5
- 2469 B6 6428 K8
- 2470 D6 6429 C18
- 2471 L20 7421 J3
- 2472 L20 7423 M21
- 2473 L20 7424 F9
- 2474 I6 7425 F14
- 2475 J7 7427 I17
- 3397 B14 7431 H6
- 3398 K12 7434 K8
- 3399 K13 7435 B3
- 3413 E21 7422 B3
- 3414 C12 7424 B3
- 3421 J5 7425 H4
- 3422 J5 7426 C16
- 3424 K17 7427 I9
- 3425 L2 7428 C3
- 3426 L2 7429 C3
- 3433 M21 7430 C3
- 3434 M22 7432 C3
- 3435 M20 7434 D3
- 3436 F9 7435 G4
- 3437 F8 7436 H4
- 3438 F5 7437 H4
- 3439 F4 7438 I4
- 3442 K12 7439 I4
- 3443 C18 7441 I4
- 3444 C18 7442 B8
- 3445 C20 7443 K10
- 3446 C21 7444 K8
- 3447 D19 7445 L6
- 3448 D21 7446 K14
- 3449 C17 7447 K16
- 3450 E21 7448 K11
- 3451 E21 7449 B22
- 3452 E21 7450 C22
- 3453 F21 7451 C22
- 3454 B13 7452 C22
- 3455 B13 7453 C22
- 3456 B15 7454 D21
- 3458 C17 7455 D22
- 3459 A17 7457 D22
- 3460 B17 7458 D22
- 3461 D17 7459 C22
- 3462 H17 7460 E22
- 3463 F18 7461 E22
- 3464 F17 7462 E22
- 3465 B12 7463 E22
- 3466 C14 7464 E22
- 3468 C12 7465 F22
- 3469 B14 7466 G22
- 3470 G21 7467 H22
- 3471 H21 7468 H22
- 3472 H21 7469 H22
- 3473 G21 7470 H22
- 3474 B 7472 M22
- 3475 F19 7469 C17
- 3477 B5 7490 H4
- 3478 B5 7491 I21
- 3479 C5 7492 H22
- 3480 C5 7493 D22
- 3481 F18 7494 E22
- 3482 E18 7495 E22
- 3484 G6 7496 E22
- 3485 E18 7497 E22
- 3486 E17 7498 E22
- 3487 C13 7499 E22
- 3489 A17 7500 E22
- 3490 C17 7501 E22
- 3491 F18 7502 E22
- 3492 C13 7503 E22
- 3493 B13 7504 E22
- 3494 B6 7505 E22
- 3496 D18 7506 E22
- 3497 N22 7507 E22
- 3499 F21 7508 E22
- 3900 D18 7509 E22
- 3901 E17 7510 E22
- 3902 E18 7511 E22
- 3908 C11 7512 E22
- 3910 E19 7513 E22
- 3911 G19 7514 E22
- 3915 I5 7515 E22
- 3926 J20 7516 E22
- 3928 F19 7517 E22
- 3929 D20 7518 E22
- 3930 D21 7519 E22
- 3932 K13 7520 E22
- 3934 J17 7521 E22
- 3935 H21 7522 E22
- 3936 D17 7523 E22
- 3937 G18 7524 E22
- 3941 C21 7525 E22
- 3942 D22 7526 E22
- 3943 C5 7527 E22

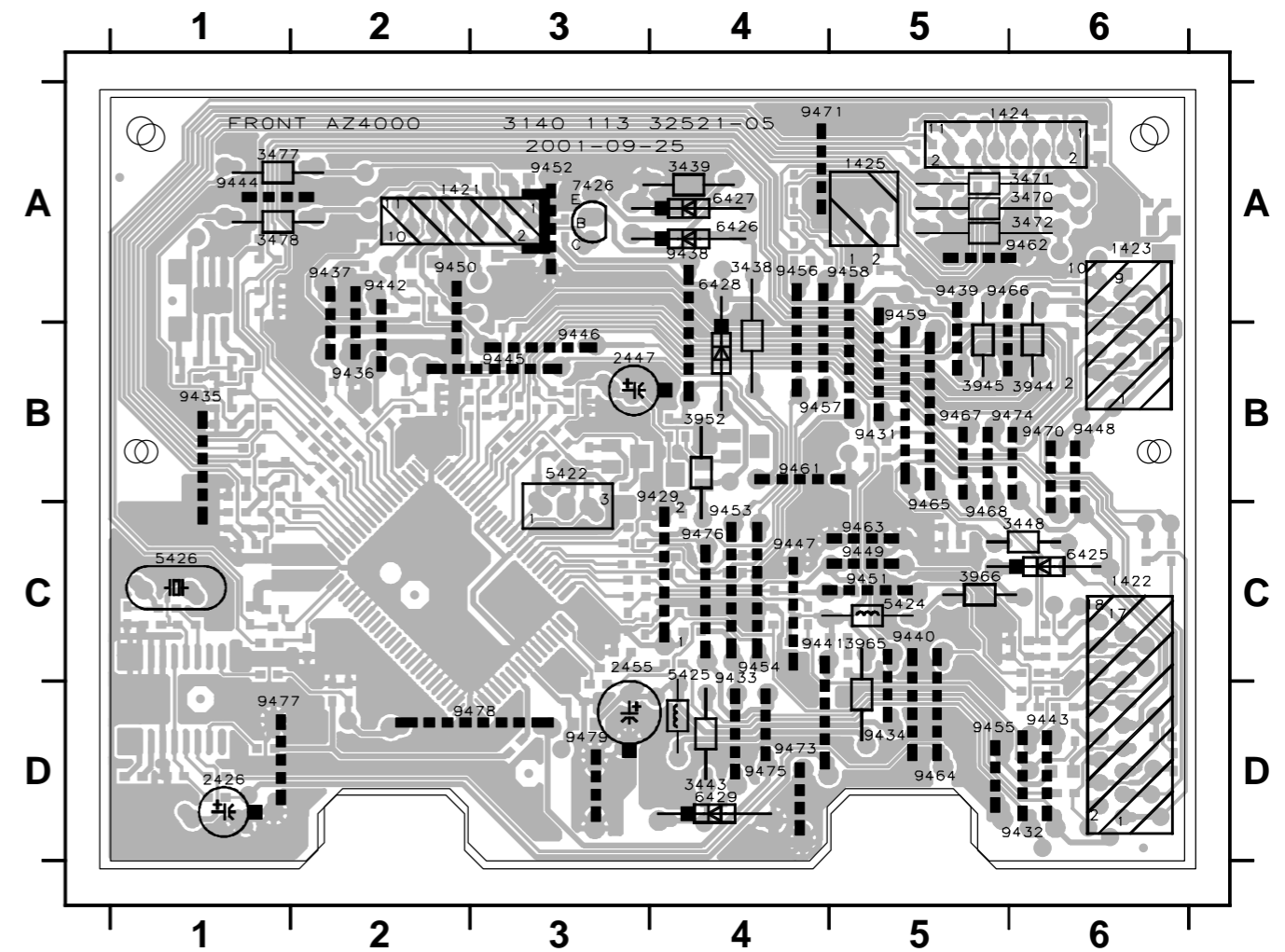
**FRONT BOARD - LAYOUT DIAGRAM
(SOLDER SIDE)**

2421 D6	2441 C1	2459 C2	3413 C3	3446 D1	3463 C4	3486 B5	3908 C4	3943 A5	4430 B6	5427 A4	7424 B4
2422 C6	2442 C1	2460 C1	3414 C4	3447 C2	3464 D1	3487 B4	3910 C2	3946 A3	4432 A2	5428 A4	7427 C5
2423 C6	2443 B5	2463 A6	3421 D6	3449 C3	3465 B4	3489 B5	3911 A2	3947 A3	4436 C3	5429 A4	7431 A1
2424 D6	2444 A2	2466 C6	3422 C6	3450 C1	3466 C4	3490 B5	3915 B1	3950 B3	4437 B4	5430 A5	7434 B3
2425 D6	2445 B6	2468 B6	3424 D6	3451 C1	3468 B4	3491 B5	3926 A3	3951 B3	4440 A3	5431 A1	
2428 B6	2446 C6	2469 B6	3425 C6	3452 C1	3469 C4	3492 B4	3928 A6	3956 A2	4441 A3	5432 B1	
2431 C4	2448 B4	2470 B4	3426 C6	3453 C1	3473 A2	3493 B4	3929 C3	3957 A2	4442 B6	5433 B1	
2432 C3	2449 D4	2471 C3	3433 B6	3454 C4	3474 B4	3494 A1	3930 C3	3958 C6	4443 B2	5434 D1	
2433 B4	2450 C4	2472 C3	3434 B6	3455 B4	3475 A6	3496 B5	3932 C6	3959 C6	4447 B6	5435 A1	
2434 B4	2451 B5	2473 C3	3435 B6	3456 C3	3479 A5	3497 B6	3934 D5	3962 C6	4449 B6	5436 A2	
2436 B4	2452 B5	2474 B4	3436 B4	3458 D3	3480 A5	3498 B6	3935 A2	3964 D1	4455 A1	5437 A2	
2437 B4	2453 B5	2475 B4	3437 B4	3459 B5	3481 C5	3499 D1	3936 B5	4421 C6	4456 B2	5438 A2	
2438 C2	2454 B6	3397 C3	3442 C6	3460 B5	3482 B6	3900 C3	3937 D5	4425 A5	4457 C1	6424 B3	
2439 C3	2457 C2	3398 C6	3444 B5	3461 B4	3484 B2	3901 C4	3941 D1	4426 A5	4458 C1	7421 D6	
2440 A6	2458 B4	3399 C5	3445 D1	3462 D4	3485 B5	3902 C4	3942 D1	4429 A4	5423 D4	7423 A6	

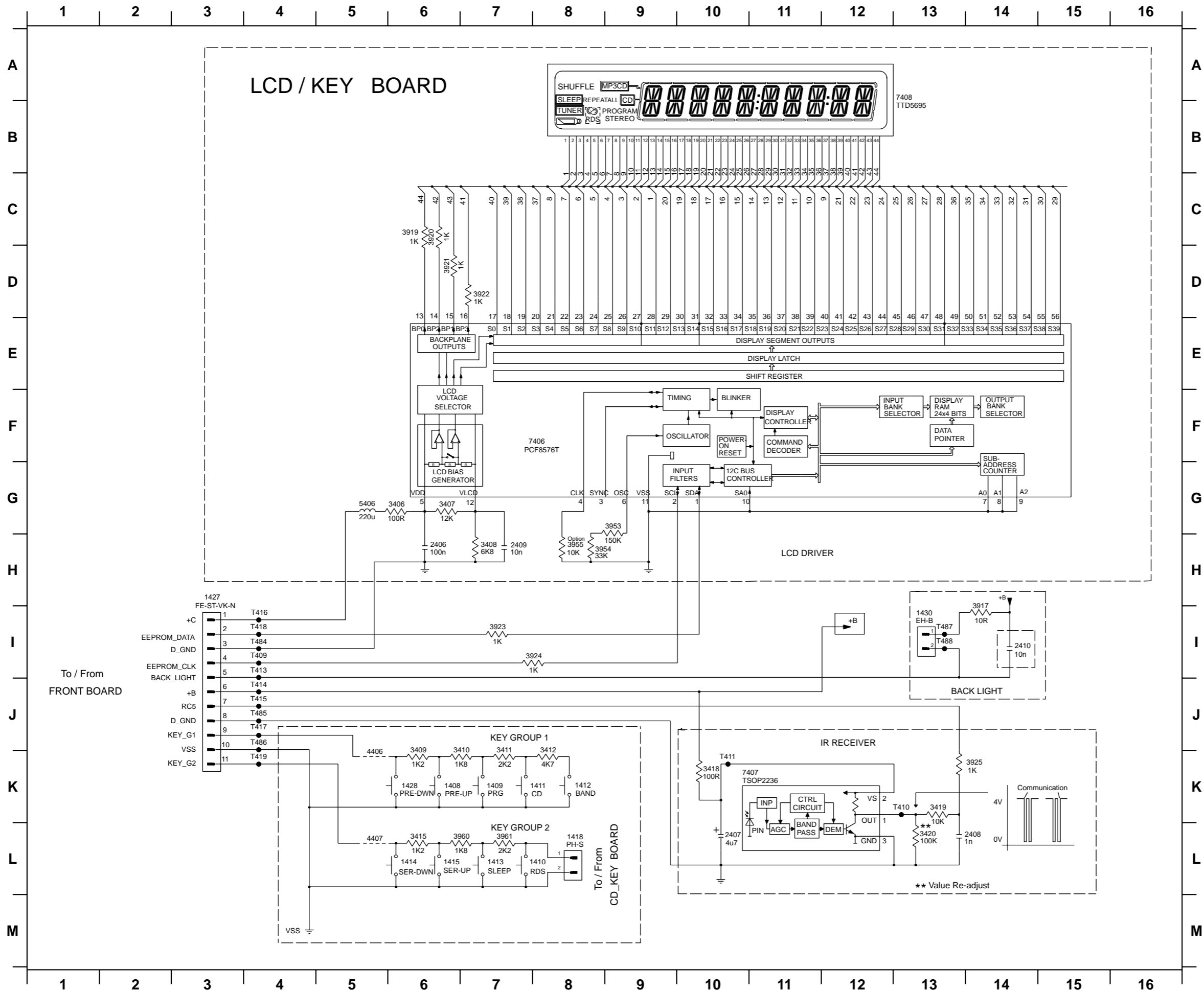


**FRONT BOARD - LAYOUT DIAGRAM
(COMPONENT SIDE)**

1421 A2	3443 D4	3965 C5	6429 D4	9438 A4	9448 B6	9458 A5	9470 B6
1422 C6	3448 C6	3966 C5	7426 A3	9439 A5	9449 C5	9459 A5	9471 A4
1423 A6	3470 A6	5422 B3	9429 B4	9440 C5	9450 A2	9461 B4	9473 D4
1424 A5	3471 A6	5424 C5	9431 B5	9441 C4	9451 C5	9462 A6	9474 B6
1425 A5	3472 A6	5425 C4	9432 D6	9442 A2	9452 A3	9463 C5	9475 D4
2426 D1	3477 A1	5426 C1	9433 C4	9443 D6	9453 C4	9464 D5	9476 C4
2447 B3	3478 A1	6425 C6	9434 D5	9444 A1	9454 C4	9465 C5	9477 D1
2455 C3	3944 B6	6426 A4	9435 B1	9445 B3	9455 D5	9466 A5	9478 D3
3438 A4	3945 B5	6427 A4	9436 B2	9446 B3	9456 A4	9467 B5	9479 D3
3439 A4	3952 B4	6428 A4	9437 A2	9447 C4	9457 B4	9468 C5	



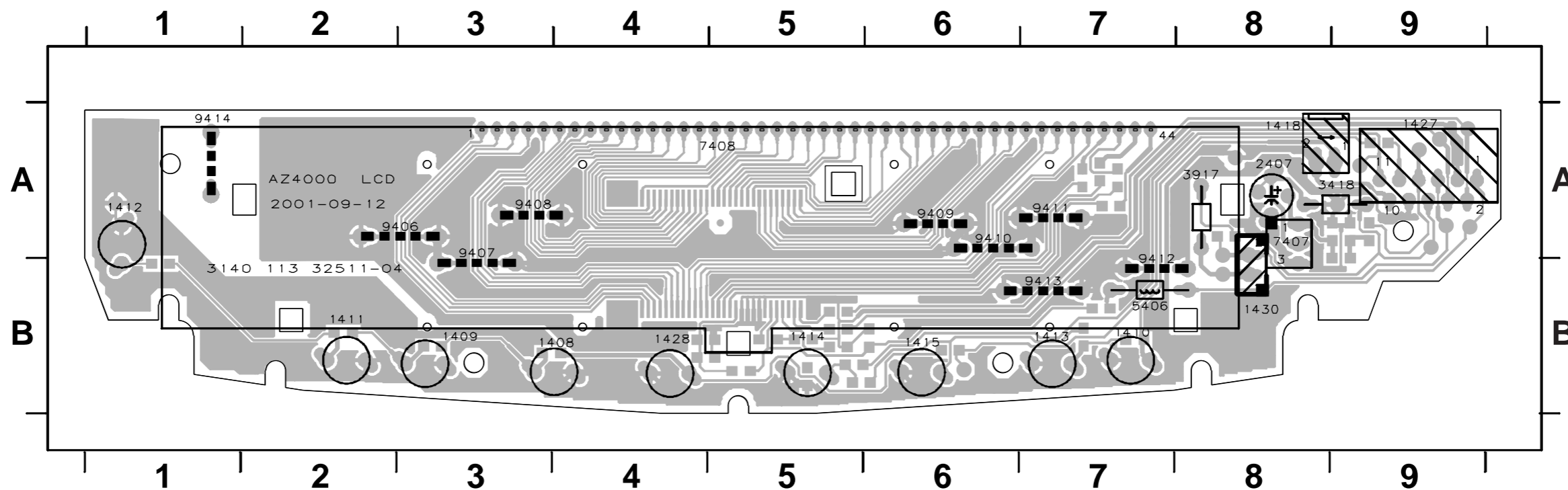
LCD / KEY BOARD - CIRCUIT DIAGRAM



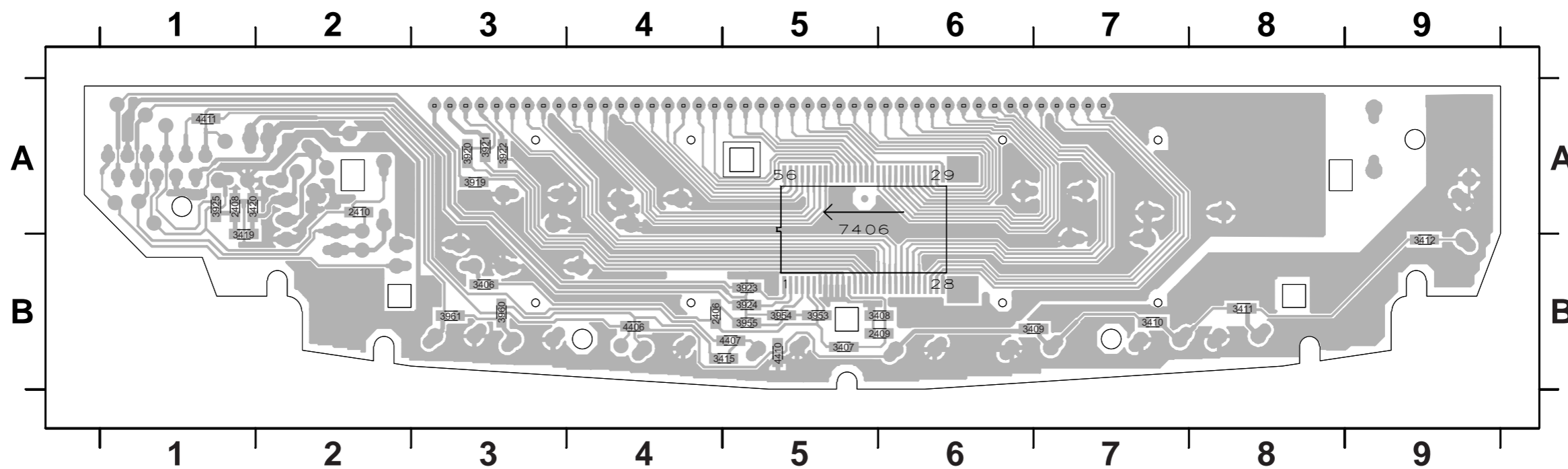
- 1408 K6
- 1409 K7
- 1410 L8
- 1411 K8
- 1412 K8
- 1413 L7
- 1414 L6
- 1415 L6
- 1418 L8
- 1427 H3
- 1428 K6
- 1430 I13
- 2406 H6
- 2407 L10
- 2408 L14
- 2409 H7
- 2410 I14
- 3406 G6
- 3407 G6
- 3408 H7
- 3409 K6
- 3410 K7
- 3411 K7
- 3412 K8
- 3415 L6
- 3418 K10
- 3419 K13
- 3420 L13
- 3917 I14
- 3919 C6
- 3920 C6
- 3921 D6
- 3922 D7
- 3923 I7
- 3924 I8
- 3925 K14
- 3953 G9
- 3954 H8
- 3955 H8
- 3960 L7
- 3961 L7
- 4406 K5
- 4407 L5
- 5406 G5
- 7406 F7
- 7407 K10
- 7408 A13
- T409 I4
- T410 K13
- T411 K10
- T413 I4
- T414 J4
- T415 J4
- T416 I4
- T417 J4
- T418 I4
- T419 K4
- T484 I4
- T485 J4
- T486 J4
- T487 I3
- T488 I13

LCD / KEY BOARD - LAYOUT DIAGRAM

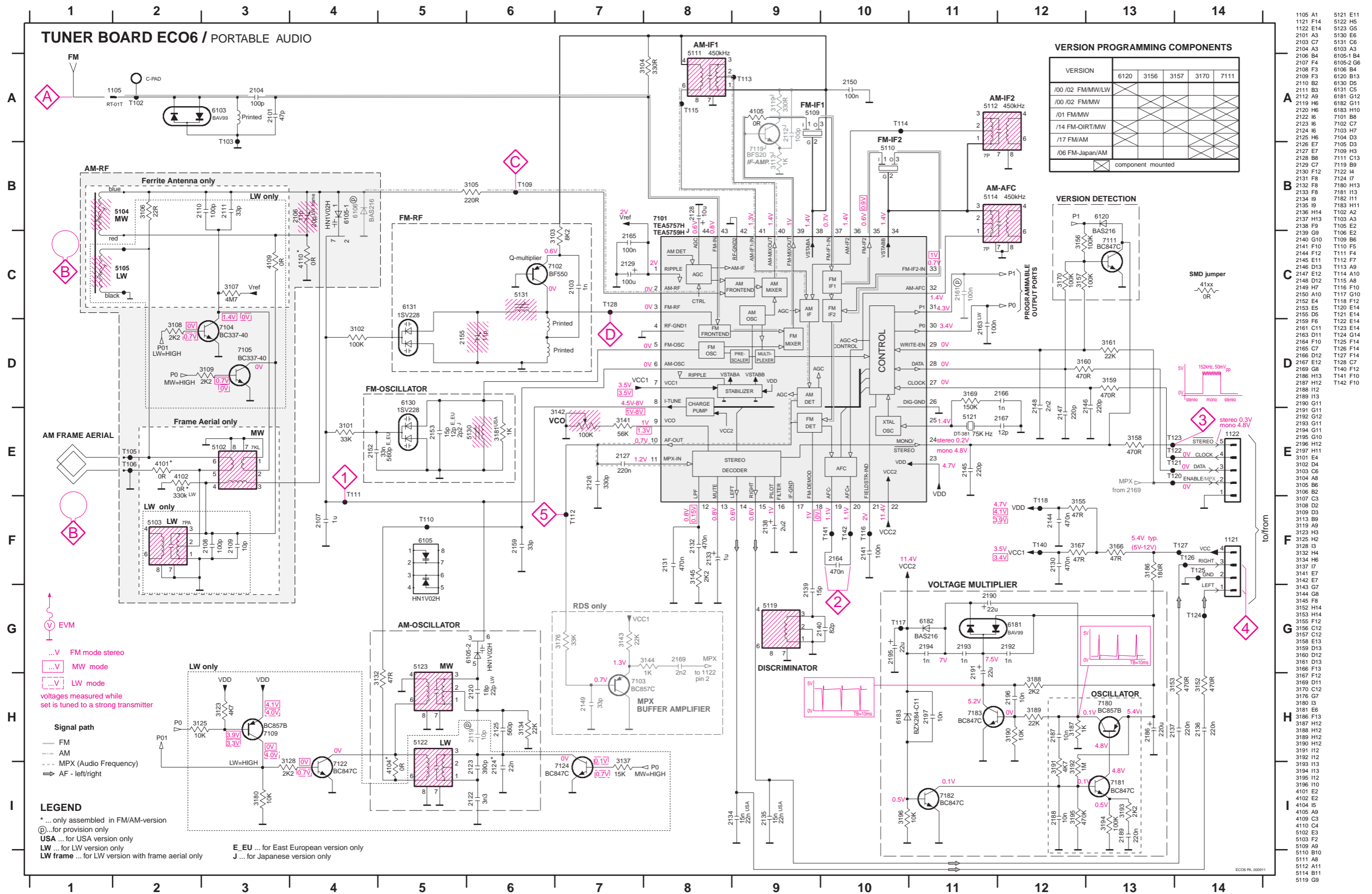
1408 B4	1411 B2	1414 B5	1427 A9	2407 A8	5406 B7	9406 A3	9409 A6	9412 B7
1409 B3	1412 A1	1415 B6	1428 B4	3418 A9	7407 A8	9407 A3	9410 A6	9413 B7
1410 B7	1413 B7	1418 A8	1430 B8	3917 A8	7408 A5	9408 A3	9411 A7	9414 A1



2406 B4	3406 B3	3410 B7	3419 A1	3921 A3	3925 A1	3960 B3	4410 B5
2408 A1	3407 B5	3411 B8	3420 A1	3922 A3	3953 B5	3961 B3	4411 A1
2409 B6	3408 B6	3412 B9	3919 A3	3923 B5	3954 B5	4406 B4	7406 A5
2410 A2	3409 B6	3415 B5	3920 A3	3924 B5	3955 B5	4407 B5	



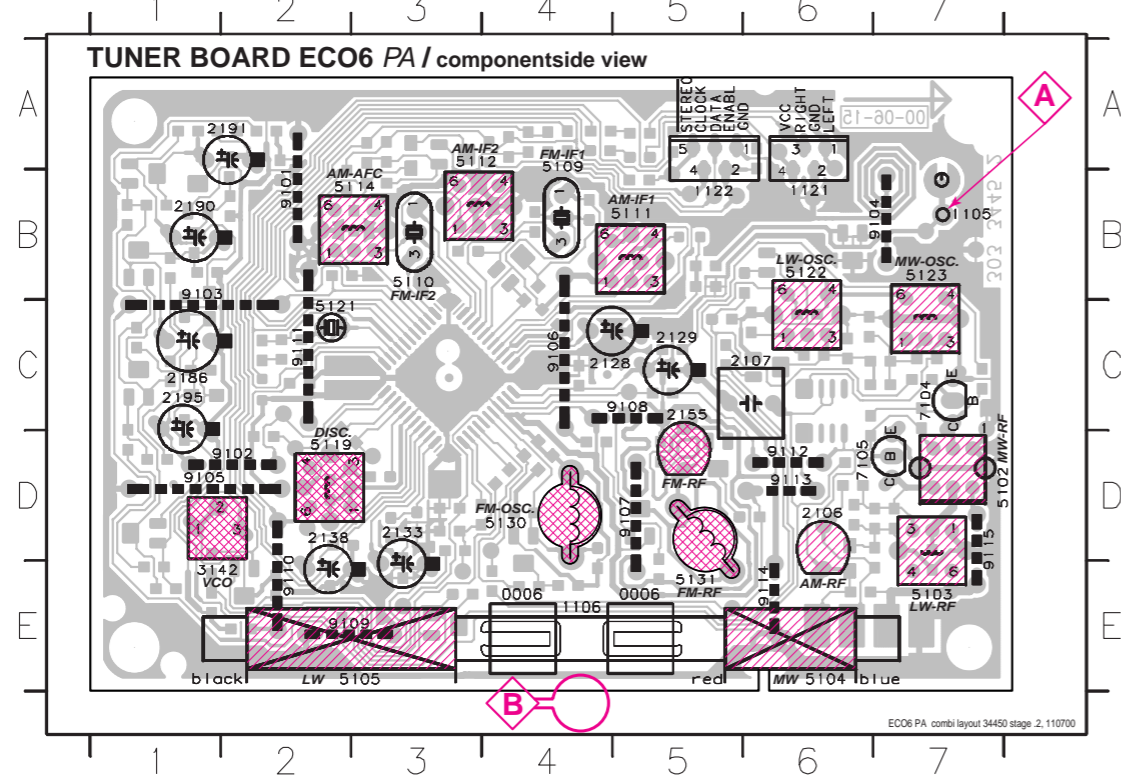
TUNER BOARD - CIRCUIT DIAGRAM



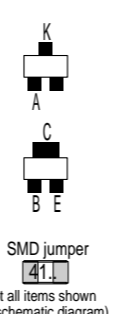
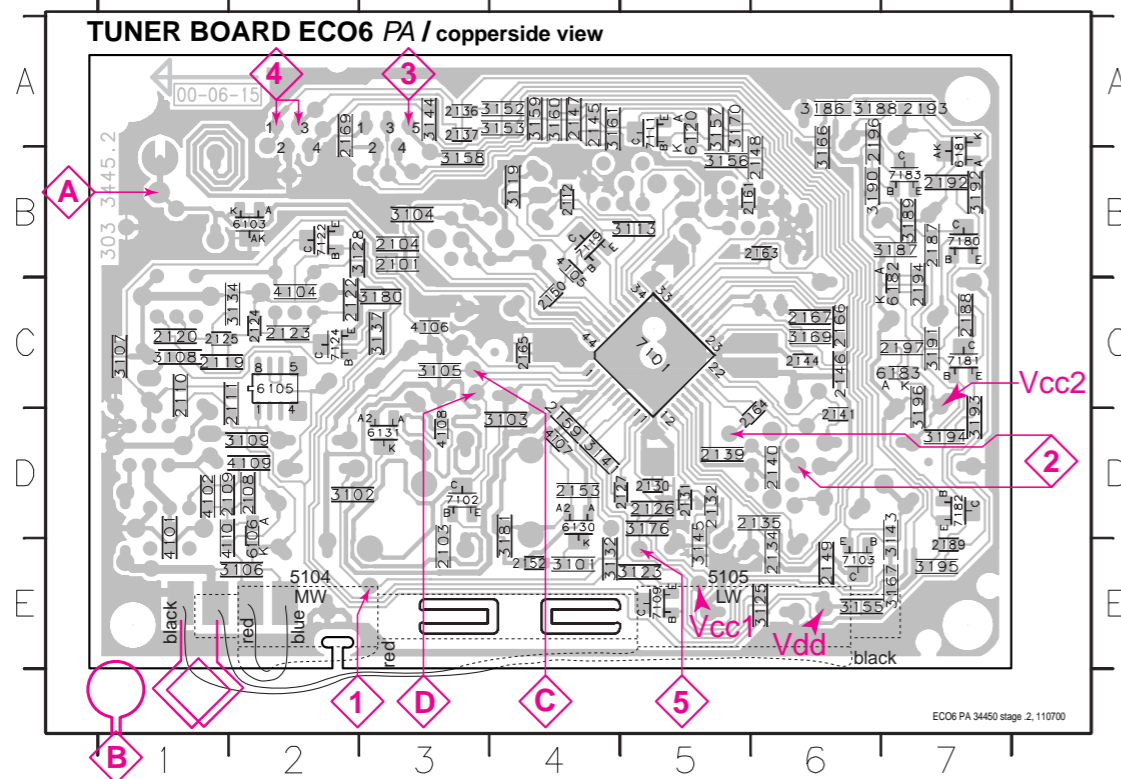
- 1105 A1
- 1121 F14
- 5122 H5
- 5123 G5
- 2101 A3
- 5130 E6
- 5131 C6
- 2104 A3
- 6103 A3
- 2106 B4
- 6105-1 B4
- 2107 F4
- 6105-2 G6
- 2108 F3
- 6106 B4
- 2109 F3
- 6120 B13
- 2110 B2
- 6130 D5
- 2111 B3
- 6131 C5
- 2112 A9
- 6181 G12
- 2119 H6
- 6182 G11
- 2120 H6
- 6183 H10
- 2122 I6
- 7101 B8
- 2123 I6
- 7102 C7
- 2124 I6
- 7103 H7
- 2125 H6
- 7104 D3
- 2126 E7
- 7105 D3
- 2127 E7
- 7109 H3
- 2128 B8
- 7111 C13
- 2129 C7
- 7119 B9
- 2130 F12
- 7122 I4
- 2131 F8
- 7124 I7
- 2132 F8
- 7180 H13
- 2133 F8
- 7181 H13
- 2134 I9
- 7182 H11
- 2135 I9
- 7183 H11
- 2136 H14
- 7183 H11
- 2137 H13
- 7183 H11
- 2138 F9
- 7183 H11
- 2139 G9
- 7183 H11
- 2140 G10
- 7183 H11
- 2141 F10
- 7183 H11
- 2142 F12
- 7183 H11
- 2143 E11
- 7183 H11
- 2144 H12
- 7183 H11
- 2145 E11
- 7183 H11
- 2146 D13
- 7183 H11
- 2147 E12
- 7183 H11
- 2148 D12
- 7183 H11
- 2149 H7
- 7183 H11
- 2150 A10
- 7183 H11
- 2152 E4
- 7183 H11
- 2153 E5
- 7183 H11
- 2155 D5
- 7183 H11
- 2159 F6
- 7183 H11
- 2161 C11
- 7183 H11
- 2163 D11
- 7183 H11
- 2164 F10
- 7183 H11
- 2165 C7
- 7183 H11
- 2166 D12
- 7183 H11
- 2167 E12
- 7183 H11
- 2169 G8
- 7183 H11
- 2186 H13
- 7183 H11
- 2187 H12
- 7183 H11
- 2189 I3
- 7183 H11
- 2190 G11
- 7183 H11
- 2191 G11
- 7183 H11
- 2192 G12
- 7183 H11
- 2193 G11
- 7183 H11
- 2194 E12
- 7183 H11
- 2195 G10
- 7183 H11
- 2196 H12
- 7183 H11
- 2197 H11
- 7183 H11
- 3101 E4
- 7183 H11
- 3102 D4
- 7183 H11
- 3103 C5
- 7183 H11
- 3104 A8
- 7183 H11
- 3105 B6
- 7183 H11
- 3106 B2
- 7183 H11
- 3107 C3
- 7183 H11
- 3108 D2
- 7183 H11
- 3109 D3
- 7183 H11
- 3113 B9
- 7183 H11
- 3119 A9
- 7183 H11
- 3123 H3
- 7183 H11
- 3125 H2
- 7183 H11
- 3128 I3
- 7183 H11
- 3132 H4
- 7183 H11
- 3134 H6
- 7183 H11
- 3137 I7
- 7183 H11
- 3141 E7
- 7183 H11
- 3142 E7
- 7183 H11
- 3143 G7
- 7183 H11
- 3144 G8
- 7183 H11
- 3145 F8
- 7183 H11
- 3152 H14
- 7183 H11
- 3155 F12
- 7183 H11
- 3156 C12
- 7183 H11
- 3157 C12
- 7183 H11
- 3158 E13
- 7183 H11
- 3159 D13
- 7183 H11
- 3160 D12
- 7183 H11
- 3161 D13
- 7183 H11
- 3166 F13
- 7183 H11
- 3167 F12
- 7183 H11
- 3169 D11
- 7183 H11
- 3170 C12
- 7183 H11
- 3176 G7
- 7183 H11
- 3180 I3
- 7183 H11
- 3181 E6
- 7183 H11
- 3186 F13
- 7183 H11
- 3187 H12
- 7183 H11
- 3188 H12
- 7183 H11
- 3189 H12
- 7183 H11
- 3190 H12
- 7183 H11
- 3191 I2
- 7183 H11
- 3192 I2
- 7183 H11
- 3193 I3
- 7183 H11
- 3194 I3
- 7183 H11
- 3195 I2
- 7183 H11
- 3196 I10
- 7183 H11
- 4101 E2
- 7183 H11
- 4102 E2
- 7183 H11
- 4104 I5
- 7183 H11
- 4105 A9
- 7183 H11
- 4109 C3
- 7183 H11
- 4110 C4
- 7183 H11
- 5102 E3
- 7183 H11
- 5103 F2
- 7183 H11
- 5109 A9
- 7183 H11
- 5110 B10
- 7183 H11
- 5111 A8
- 7183 H11
- 5112 A11
- 7183 H11
- 5114 B11
- 7183 H11
- 5119 G9
- 7183 H11

TUNER BOARD - LAYOUT DIAGRAM (ECO6 PA)

1105 B7 2106 D6 2129 C5 2155 C5 2191 A2 5102 D7 5110 B3 5114 B3 5122 B6 5131 E5 9101 B2 9104 B7 9107 D5 9110 E2 9113 D6
 1121 B6 2107 C6 2133 D3 2186 C1 2195 C1 5103 E7 5111 B4 5119 D2 5123 B7 7104 C7 9102 D2 9105 D1 9108 C5 9111 C2 9114 E6
 1122 B5 2128 C4 2138 D2 2190 B1 3142 E1 5109 B4 5112 B3 5121 C2 5130 D4 7105 D6 9103 B1 9106 C4 9109 E2 9112 D6 9115 D7



2101 B3 2119 C1 2130 D5 2140 D6 2150 C4 2166 C6 2194 C7 3106 E2 3128 B2 3152 A4 3161 A4 3186 A6 3194 D7 4107 D4 6130 D4 7109 E5 7183 B7
 2103 E3 2120 C1 2131 D5 2141 D6 2152 E4 2167 C6 2196 A6 3107 C1 3132 E4 3153 A4 3166 B6 3187 B7 3195 E7 4108 D3 6131 D3 7111 A5
 2104 B3 2122 C2 2132 D5 2144 C6 2153 D4 2169 A2 2197 C7 3108 C1 3134 C2 3155 E6 3167 E7 3188 A6 3196 C7 4109 D2 6181 B7 7119 B5
 2108 D2 2123 C2 2134 E6 2145 A4 2159 D4 2187 B7 3101 E4 3109 D2 3137 C3 3156 B5 3169 C6 3189 B7 4101 D1 4110 D1 6182 C7 7122 B2
 2109 D1 2124 C2 2135 D6 2146 C6 2161 B5 2188 C7 3102 D2 3113 B5 3141 D4 3157 A5 3170 A5 3190 B6 4102 D1 6103 B2 6183 C7 7124 C2
 2110 C1 2125 C1 2136 A3 2147 A4 2163 B6 2189 E7 3103 D4 3119 B5 3143 D7 3158 B3 3176 D5 3191 C7 4104 C2 6105 C2 7101 C5 7180 B7
 2111 C2 2126 D5 2137 A3 2148 B6 2164 D6 2192 B7 3104 B3 3123 E5 3144 A3 3159 A4 3180 C3 3192 B7 4105 B4 6106 D2 7102 D3 7181 C7
 2112 B4 2127 D5 2139 D5 2149 E6 2165 C4 2193 A7 3105 C3 3125 E6 3145 E5 3160 A4 3181 D4 3193 D7 4106 C3 6120 A5 7103 E6 7182 D7



These assembly drawings show a summary of all possible versions. For components used in a specific version see schematic diagram respectively partlist.

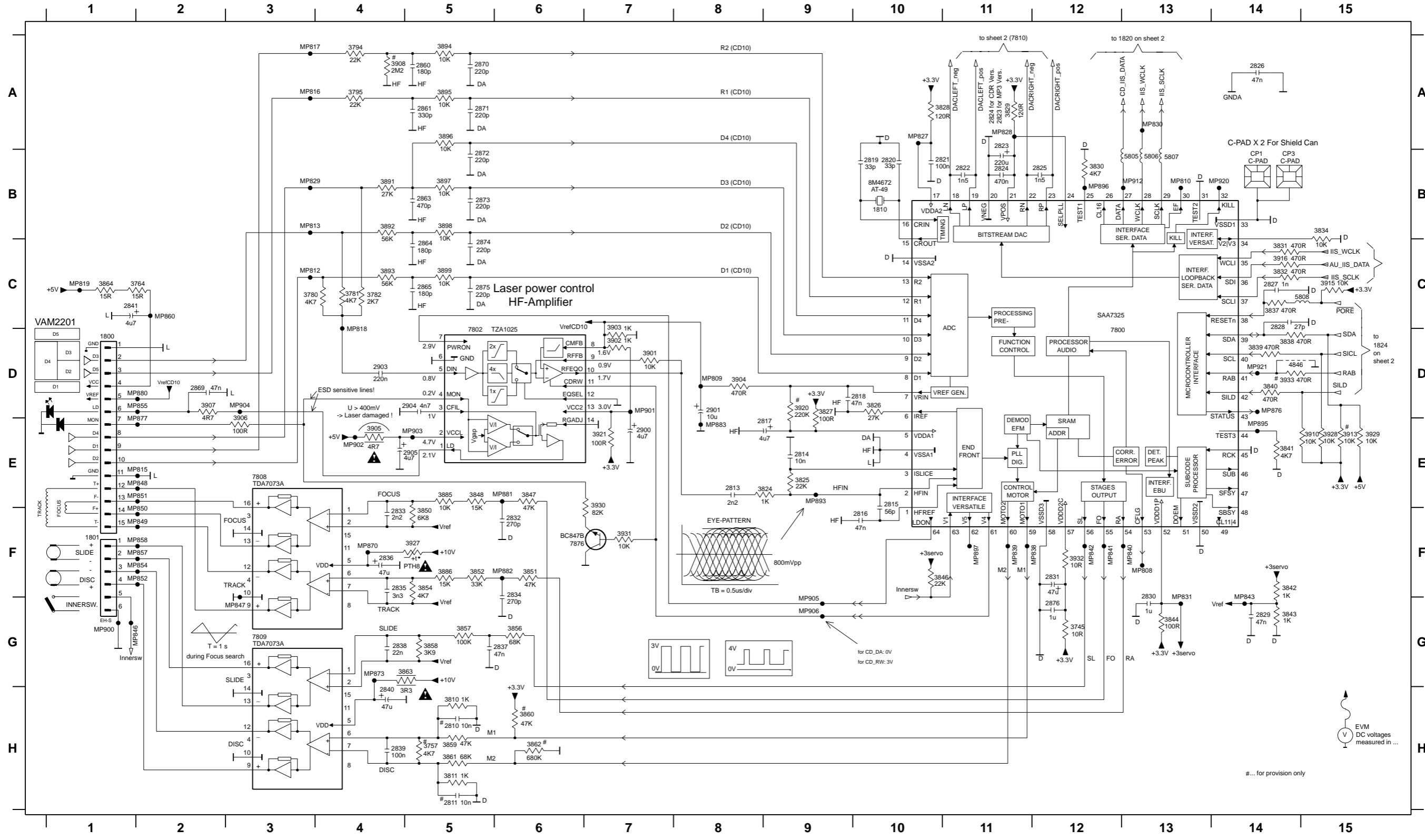
TUNER ADJUSTMENT TABLE (ECO6 FM/MW- and FM/MW/LW - versions with ferrite antenna)

Waverange	Input frequency	Input	Tuned to	Adjust	Output	Scope/Voltmeter
VARICAP ALIGNMENT						
FM 87.5 - 108MHz (65.81 - 74, 87.5 - 108MHz)			108MHz	5130		8V ±0.2V
			87.5MHz (65.81MHz)	check		4.3V ±0.5V (1.2V ±0.5V)
MW FM/AM-version, 10kHz grid 530 - 1700kHz			1700kHz	5123		8V ±0.2V
			530kHz	check		1.1V ±0.4V
FM/MW-version, 9kHz grid 531 - 1602kHz			1602kHz	5123	1	6.9V ±0.2V
			531kHz	check		1.1V ±0.4V
LW 153 - 279kHz			279kHz	5122		8V ±0.2V
			153kHz	check		1.1V ±0.4V
MW FM/MW/LW- version, 9kHz grid 531 - 1602kHz			1602kHz	5123		8V ±0.2V
			531kHz	check		1.1V ±0.4V
FM IF						
FM	10.7MHz, 45mV continuous wave	D		5119	2	0 ± 3 mV DC
FM RF						
FM 87.5 - 108MHz (65.81 - 74, 87.5 - 108MHz)	108MHz	A mod=1kHz Δf=±22.5kHz	108MHz	2155	4	MAX
	87.5MHz (65.81MHz)		87.5MHz (65.81MHz)	5131		
VCO						
FM	98MHz, 1mV continuous wave	A	98MHz	3142	3	152kHz ±1kHz ¹⁾
AM IF						
MW	450kHz connect pin 6 of IC 7101 (AM Osc.) with 2.2k to Vcc	C Δf=±10kHz V _{RF} = 0.5mV (as low as possible) see remark 2)		5111	5	
				5112		
AM AFC MW		C continuous wave V _{RF} = 2mV		5114	2	0 ± 2 mV DC
AM RF³⁾						
LW	198kHz	B 	198kHz	5105 LW ferrite coil	5	
MW FM/MW/LW- and FM/MW-version (9kHz grid)	1494kHz		2106			
	531 - 1602kHz		558kHz	5104 MW ferrite coil		
MW FM/AM-version, 10kHz grid 530 - 1700kHz	1500kHz		2106			
	560kHz	5104 MW ferrite coil				

Use Service Testprogram. By selecting the TUNER TEST test frequencies will be stored as preset frequencies automatically.
¹⁾ If sensitivity of frequency counter is too low adjust to max. channel separation (input signal: stereo left 90% + 9%, adjust output on right channel to minimum)
²⁾ RC network serves for damping the IF-filter while adjusting the other one.
³⁾ LW has to be aligned before MW.

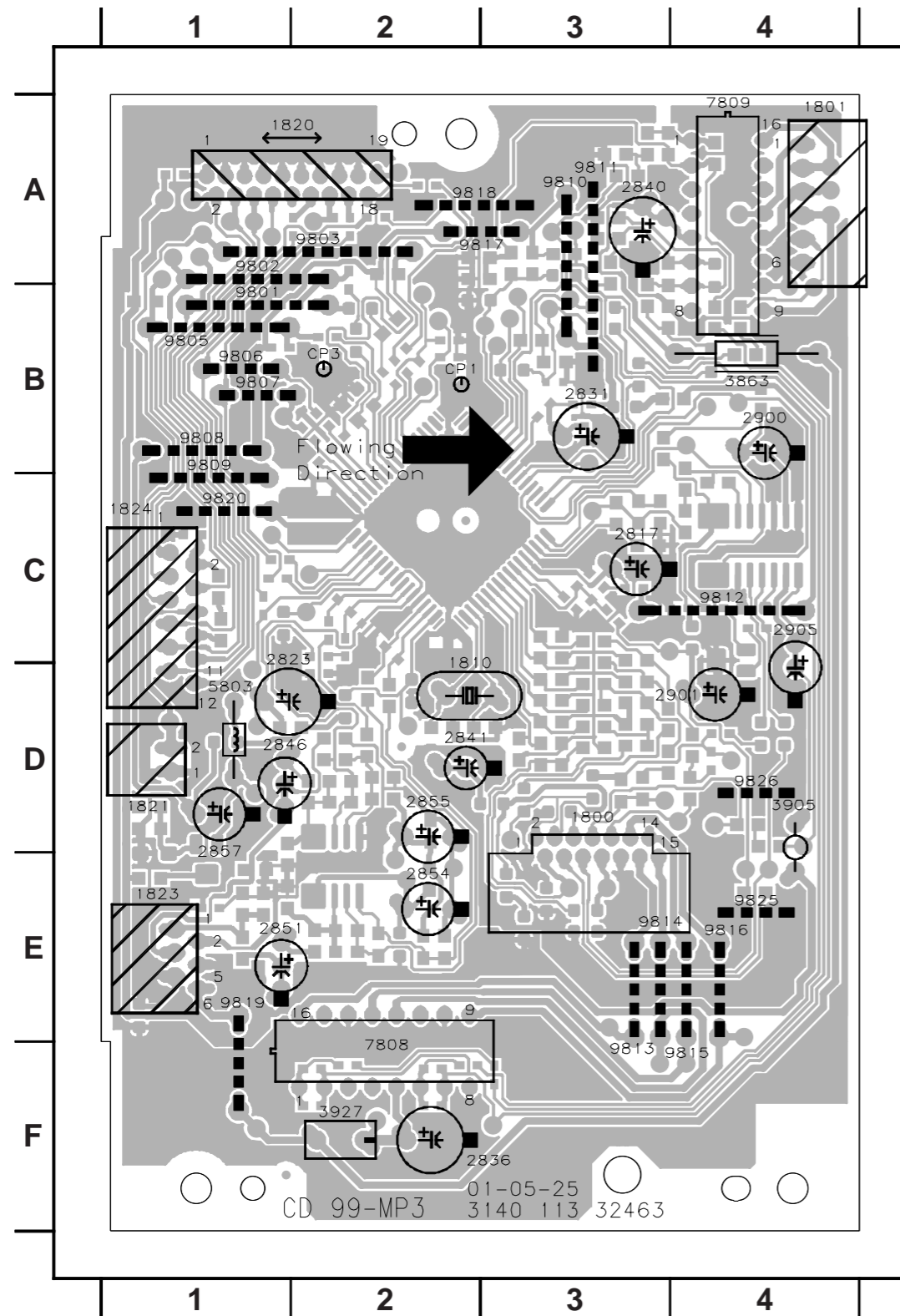
CIRCUIT DIAGRAM - CD99 / MP3 PART 1

CP1 B14	2814 E9	2822 B11	2830 G13	2838 G4	2865 C5	2876 G12	3764 C2	3824 E9	3832 C14	3843 G14	3854 F4	3863 G5	3895 A5	3904 D8	3916 C14	3932 F12	7802 D5	MP813 B3	MP829 B3	MP843 G14	MP854 F2	MP877 E2	MP897 F11	MP912 B12
CP3 B14	2815 E10	2823 A11	2831 F12	2839 H4	2869 D2	2900 E7	3780 C4	3825 E9	3834 B15	3844 G13	3856 G6	3864 C1	3896 A5	3905 E4	3920 D9	3933 D14	7808 E3	MP815 E2	MP830 A13	MP846 G1	MP855 D2	MP880 D2	MP900 G1	MP920 B14
1800 D1	2816 F10	2824 B11	2832 F6	2840 H4	2870 A5	2901 D8	3781 C4	3826 D10	3837 C14	3846 F10	3857 G5	3885 E5	3897 B5	3906 E3	3921 E7	4846 D14	7809 G3	MP816 A3	MP831 G13	MP847 G3	MP857 F2	MP881 E6	MP901 D7	MP921 D14
1801 F1	2817 E9	2825 B12	2833 F4	2841 C1	2871 A5	2903 D4	3782 C4	3827 D9	3838 D14	3847 E6	3858 G5	3886 F5	3898 B5	3907 D2	3927 F5	5805 B12	7876 F7	MP817 A3	MP838 F12	MP848 E2	MP858 F2	MP882 F6	MP902 E4	
1810 B10	2818 D9	2826 A14	2834 G6	2860 A5	2872 B5	2904 D5	3794 A4	3828 A10	3839 D14	3848 E5	3859 H5	3891 B4	3899 C5	3908 A4	3928 E15	5806 B13	MP808 F13	MP818 D4	MP839 F11	MP849 F2	MP860 C2	MP883 D8	MP903 E5	
2810 H5	2819 B10	2827 C14	2835 F4	2861 A5	2873 B5	2905 E4	3795 A4	3829 A11	3840 D14	3850 F4	3860 H6	3892 B4	3901 D7	3910 E14	3929 E15	5807 B13	MP809 D8	MP819 C1	MP840 F13	MP850 F2	MP870 F4	MP893 E9	MP904 D3	
2811 H5	2820 B10	2828 C14	2836 F4	2863 B5	2874 C5	3745 G12	3810 H5	3830 B12	3841 E14	3851 F6	3861 H5	3893 C4	3902 D7	3913 E15	3930 E6	5808 C15	MP810 B13	MP827 A10	MP841 F12	MP851 E2	MP873 G4	MP895 E14	MP905 F9	
2813 E8	2821 B10	2829 G14	2837 G5	2864 C5	2875 C5	3757 H5	3811 H5	3831 C14	3842 F14	3852 F5	3862 H6	3894 A5	3903 D7	3915 C15	3931 F7	7800 C12	MP812 C3	MP828 A11	MP842 F12	MP852 F2	MP876 D14	MP896 B12	MP906 G9	

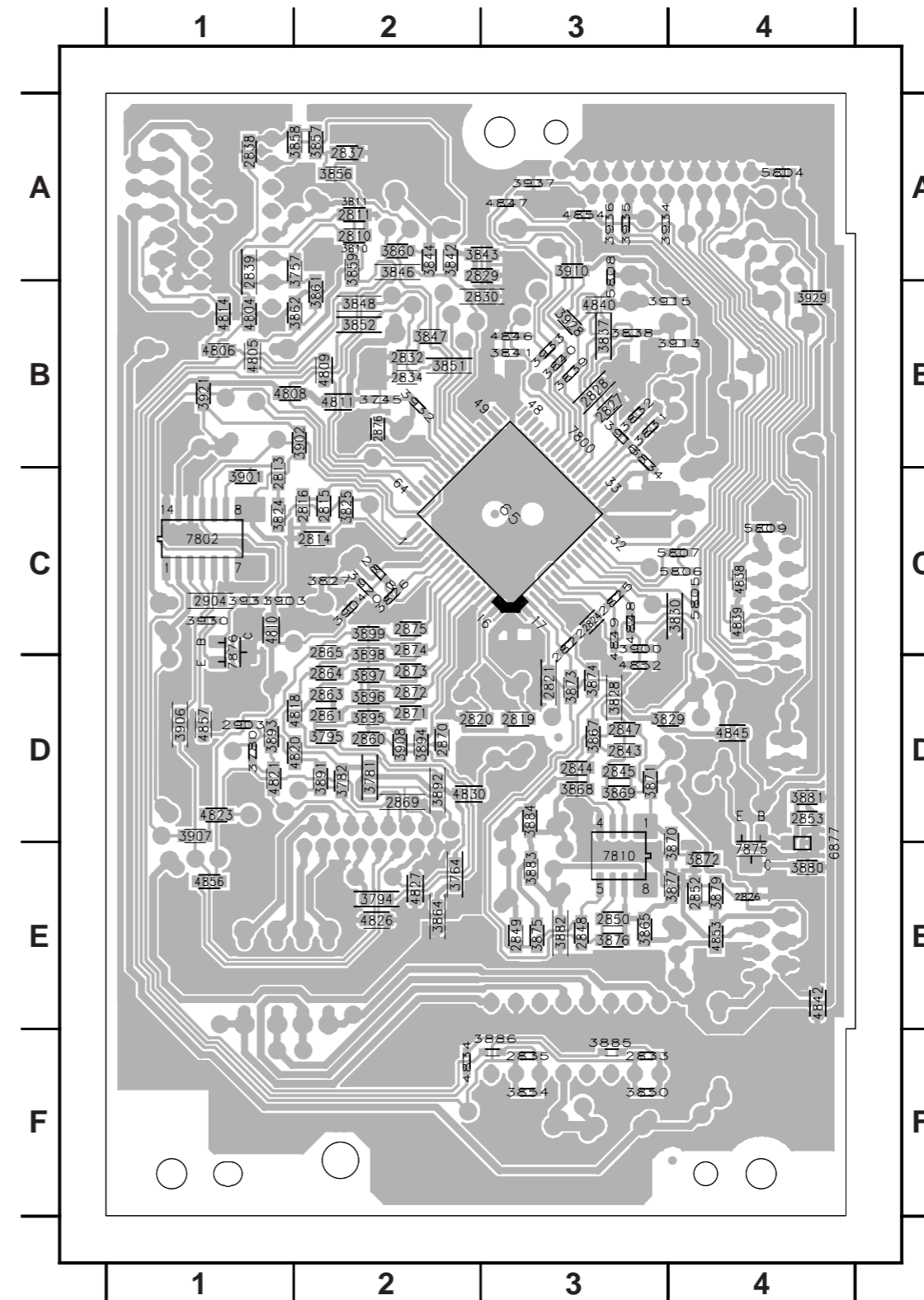


EVM DC voltages measured in ...

LAYOUT DIAGRAM - CD99 / MP3



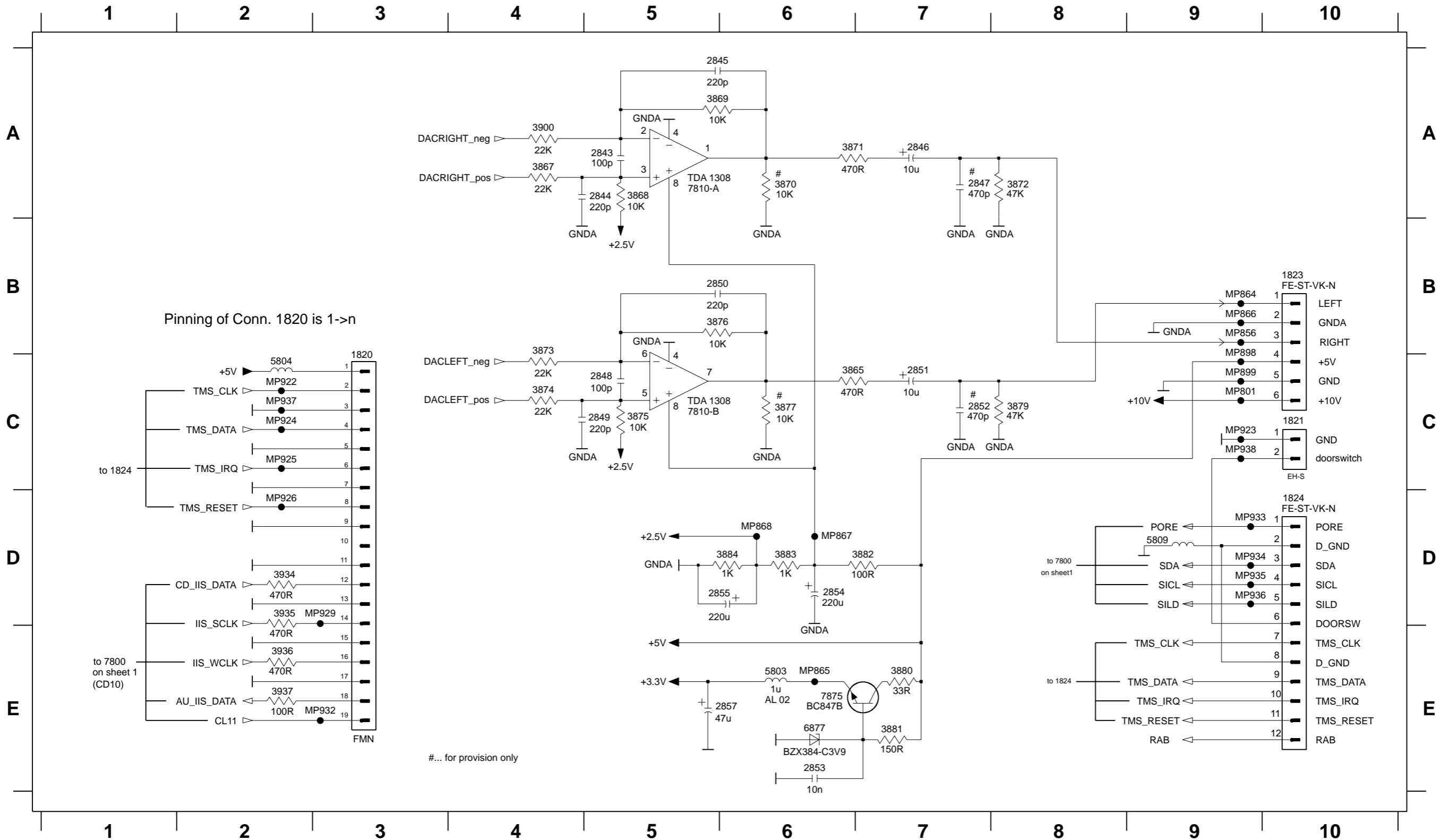
- CP1 B3
- CP3 B2
- 1800 E3
- 1801 A5
- 1810 D3
- 1820 A2
- 1821 E1
- 1823 E1
- 1824 C1
- 1827 C4
- 1823 D2
- 1823 C3
- 1823 G3
- 1840 A4
- 1841 D3
- 1846 D2
- 1851 E2
- 1854 E2
- 1855 E2
- 1857 E1
- 1900 C4
- 1901 D4
- 1905 D4
- 1863 C4
- 1905 E4
- 1927 F2
- 5803 D1
- 7808 F2
- 7809 A4
- 9801 B2
- 9802 B2
- 9803 B2
- 9805 B1
- 9806 B1
- 9807 C2
- 9808 C1
- 9809 C1
- 9810 A3
- 9811 A3
- 9812 D4
- 9813 F3
- 9814 E4
- 9815 F4
- 9816 E4
- 9817 B3
- 9818 B3
- 9819 F1
- 9820 C1
- 9825 E4
- 9826 E4



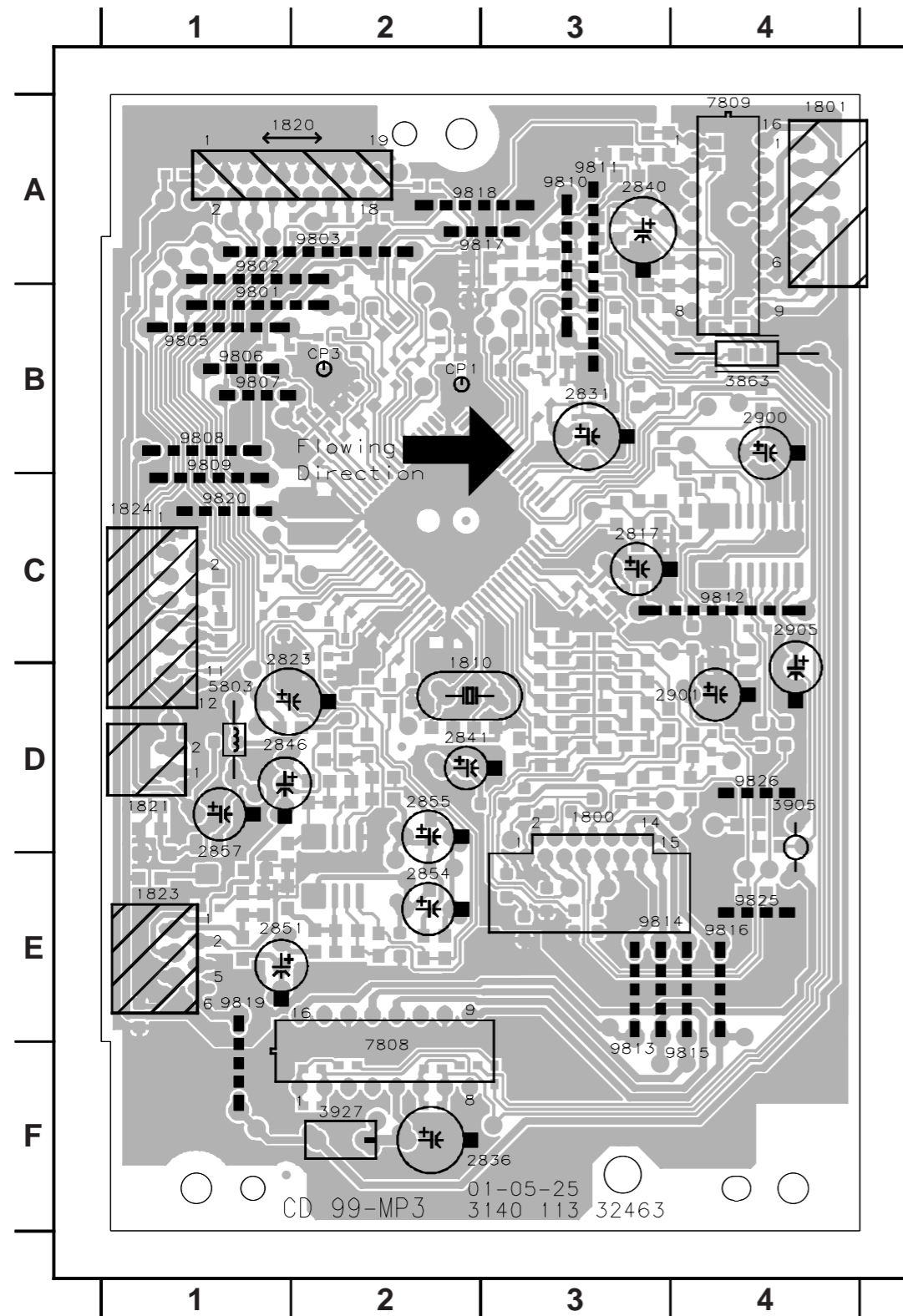
- 2810 B14
- 2811 B14
- 2813 C13
- 2814 C13
- 2815 C13
- 2816 C13
- 2818 D14
- 2819 D14
- 2820 D14
- 2821 D15
- 2822 D15
- 2824 D15
- 2825 D15
- 2826 E16
- 2827 C15
- 2828 C15
- 2829 B14
- 2830 B14
- 2832 B14
- 2833 F15
- 2834 C14
- 2835 F15
- 2837 A14
- 2838 A13
- 2839 B13
- 2843 E15
- 2844 E15
- 2845 E15
- 2847 D15
- 2848 E15
- 2849 E14
- 2850 E15
- 2852 E15
- 2853 E16
- 2860 D14
- 2861 D13
- 2863 D13
- 2864 D13
- 2865 D13
- 2869 E14
- 2870 D14
- 2871 D14
- 2872 D14
- 2873 D14
- 2874 D14
- 2875 D14
- 2876 C14
- 2903 D13
- 2904 D13
- 3745 C14
- 3757 B13
- 3764 E14
- 3780 E13
- 3781 E14
- 3782 E14
- 3794 E14
- 3795 D13
- 3810 B14
- 3811 B14
- 3824 C13
- 3825 C14
- 3826 D14
- 3827 D13
- 3828 D15
- 3829 D15
- 3830 D15
- 3831 C15
- 3832 C15
- 3834 C15
- 3837 B15
- 3838 B15
- 3839 B15
- 3840 B15
- 3841 B14
- 3842 B14
- 3843 B14
- 3844 B14
- 3846 B14
- 3847 B14
- 3848 B14
- 3850 F15
- 3851 B14
- 3852 B14
- 3854 F15
- 3855 A14
- 3857 A13
- 3858 A13
- 3859 B14
- 3860 B14
- 3861 B13
- 3862 B13
- 3864 E14
- 3865 E15
- 3866 E15
- 3868 E15
- 3869 E15
- 3870 E15
- 3871 E15
- 3872 E15
- 3873 D15
- 3874 D15
- 3875 E15
- 3876 F15
- 3877 E15
- 3879 E15
- 3879 E16
- 3880 E16
- 3881 E16
- 3882 E15
- 3883 E15
- 3884 E15
- 3885 F15
- 3886 F14
- 3891 E13
- 3892 E14
- 3893 D13
- 3894 D14
- 3895 D14
- 3896 D14
- 3897 D14
- 3898 D14
- 3899 D14
- 3900 D15
- 3901 C13
- 3902 C13
- 3903 D13
- 3904 D13
- 3904 D14
- 3906 D13
- 3907 E13
- 3908 D14
- 3910 B15
- 3913 B15
- 3915 B15
- 3916 C15
- 3920 D14
- 3921 C13
- 3928 B15
- 3929 B16
- 3930 D13
- 3931 D13
- 3932 C14
- 3933 B15
- 3934 B15
- 3935 B15
- 3936 B15
- 3937 A15
- 4804 B13
- 4805 B13
- 4806 B13
- 4808 C13
- 4809 B13
- 4810 D13
- 4811 C14
- 4814 B13
- 4818 D13
- 4820 E13
- 4821 E13
- 4822 E13
- 4826 E14
- 4827 E14
- 4838 D16
- 4839 D16
- 4840 B15
- 4842 F16
- 4845 D16
- 4846 B14
- 4847 B14
- 4848 D15
- 4849 D15
- 4852 D15
- 4853 F16
- 4854 B15
- 4856 E13
- 4857 D13
- 4858 D15
- 4859 C16
- 4877 E16
- 7800 C15
- 7802 C13
- 7810 E15
- 7815 E16
- 7876 D13

CIRCUIT DIAGRAM - CD99 / MP3 PART 2

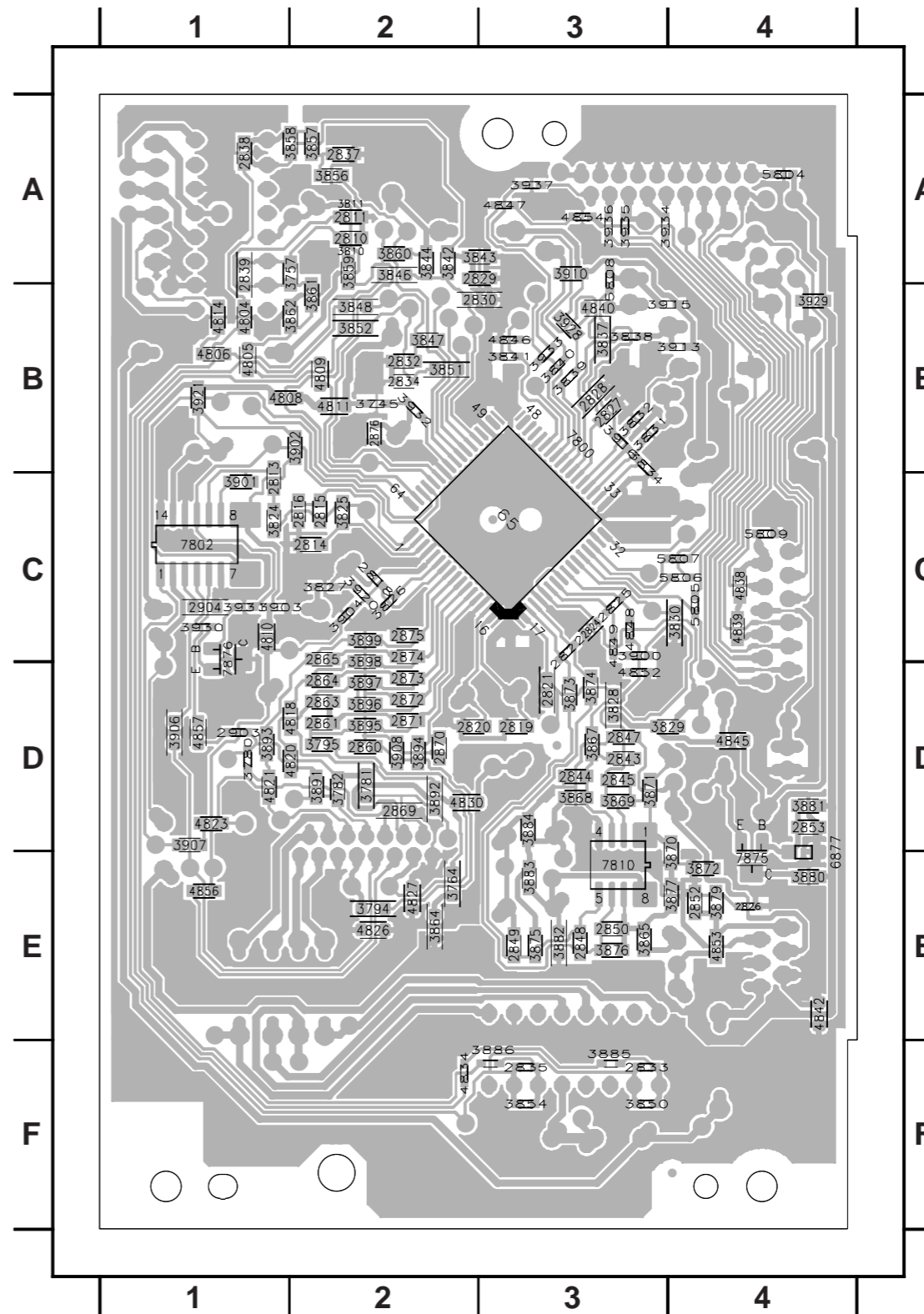
1820 C3	2844 A5	2849 C5	2854 D6	3868 A5	3873 B4	3879 C8	3884 D6	3937 E2	7810-A A5	MP864 B9	MP898 C9	MP925 C2	MP934 D9
1821 C10	2845 A5	2850 B5	2855 D5	3869 A5	3874 C4	3880 E7	3900 A4	5803 E6	7810-B C5	MP865 E6	MP899 C9	MP926 D2	MP935 D9
1823 B10	2846 A7	2851 C7	2857 E6	3870 A6	3875 C5	3881 E7	3934 D2	5804 C2	7875 E6	MP866 B9	MP922 C2	MP929 D3	MP936 D9
1824 D10	2847 A7	2852 C7	3865 C6	3871 A6	3876 B5	3882 D7	3935 D2	5809 D9	MP801 C9	MP867 D6	MP923 C9	MP932 E3	MP937 C2
2843 A5	2848 C5	2853 E6	3867 A4	3872 A8	3877 C6	3883 D6	3936 E2	6877 E6	MP856 B9	MP868 D6	MP924 C2	MP933 D9	MP938 C9



LAYOUT DIAGRAM - CD99 / MP3



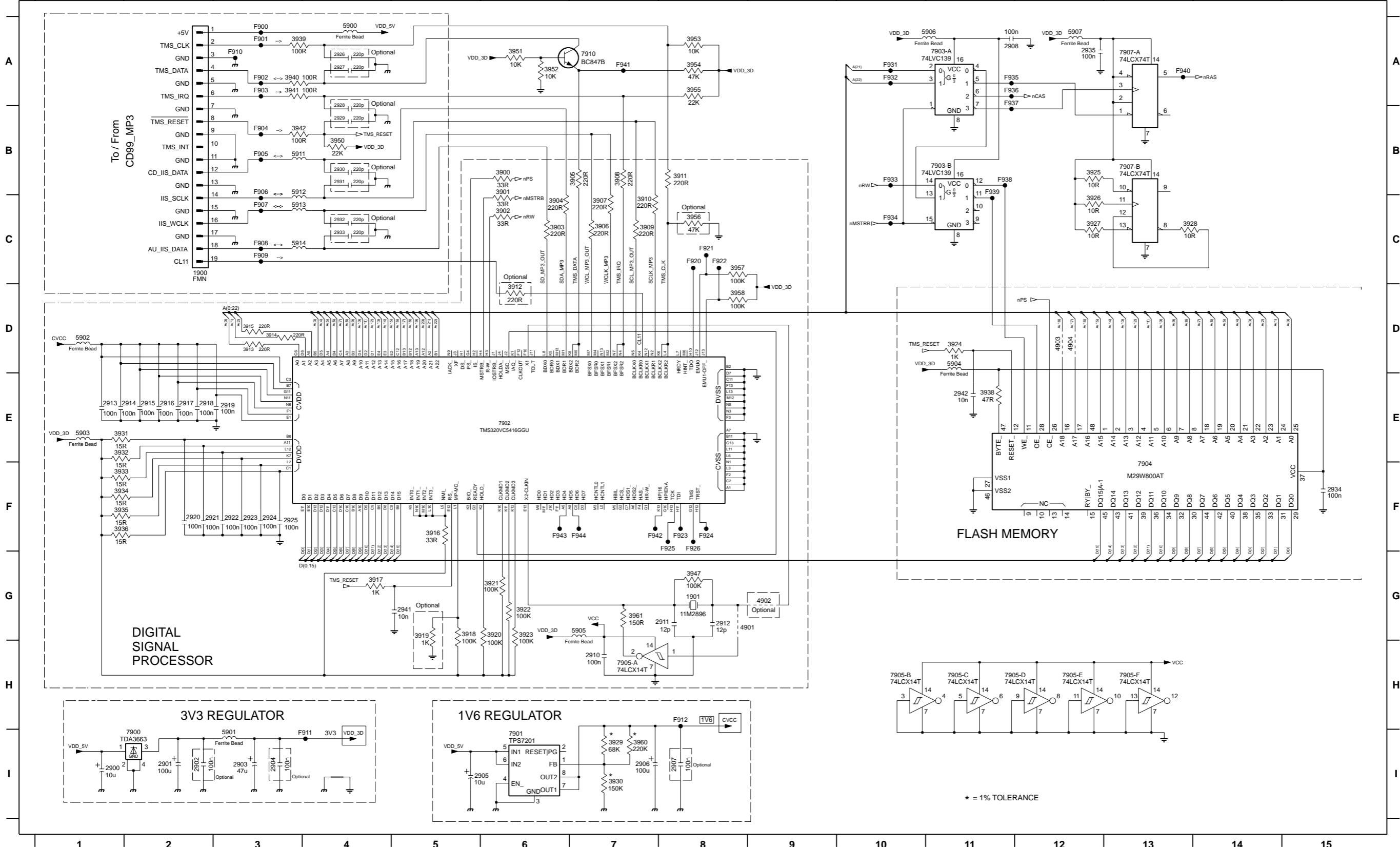
- CP1 B3
- CP3 B2
- 1800 E3
- 1801 A5
- 1810 D3
- 1820 A2
- 1821 E1
- 1823 E1
- 1824 C1
- 2817 C4
- 2823 D2
- 2831 C3
- 2836 G3
- 2840 A4
- 2841 D3
- 2846 D2
- 2851 E2
- 2854 E2
- 2855 E2
- 2857 E1
- 2900 C4
- 2901 D4
- 2905 D4
- 3863 C4
- 3905 E4
- 3927 F2
- 5803 D1
- 7808 F2
- 7809 A4
- 9801 B2
- 9802 B2
- 9803 B2
- 9805 B1
- 9806 B1
- 9807 C2
- 9808 C1
- 9809 C1
- 9810 A3
- 9811 A3
- 9812 D4
- 9813 F3
- 9814 E4
- 9815 F4
- 9816 E4
- 9817 B3
- 9818 B3
- 9819 F1
- 9820 C1
- 9825 E4
- 9826 E4



- 2810 B14
- 2811 B14
- 2813 C13
- 2814 C13
- 2815 C13
- 2816 C13
- 2818 D14
- 2819 D14
- 2820 D14
- 2821 D15
- 2822 D15
- 2824 D15
- 2825 D15
- 2826 E16
- 2827 C15
- 2828 C15
- 2829 B14
- 2830 B14
- 2832 B14
- 2833 F15
- 2834 C14
- 2835 F15
- 2837 A14
- 2838 A13
- 2839 B13
- 2843 E15
- 2844 E15
- 2845 E15
- 2847 D15
- 2848 E15
- 2849 E14
- 2850 E15
- 2852 E15
- 2853 E16
- 2860 D14
- 2861 D13
- 2863 D13
- 2864 D13
- 2865 D13
- 2869 E14
- 2870 D14
- 2871 D14
- 2872 D14
- 2873 D14
- 2874 D14
- 2875 D14
- 2876 C14
- 2903 D13
- 2904 D13
- 3745 C14
- 3757 B13
- 3764 E14
- 3780 E13
- 3781 E14
- 3782 E14
- 3794 E14
- 3795 D13
- 3810 B14
- 3811 B14
- 3824 C13
- 3825 C14
- 3826 D14
- 3827 D13
- 3828 D15
- 3829 D15
- 3830 D15
- 3831 C15
- 3832 C15
- 3834 C15
- 3837 B15
- 3838 B15
- 3839 B15
- 3840 B15
- 3841 B14
- 3842 B14
- 3843 B14
- 3844 B14
- 3846 B14
- 3847 B14
- 3848 B14
- 3850 F15
- 3851 B14
- 3852 B14
- 3854 F15
- 3855 A14
- 3857 A13
- 3858 A13
- 3859 B14
- 3860 B14
- 3861 B13
- 3862 B13
- 3864 E14
- 3865 E15
- 3866 E15
- 3868 E15
- 3869 E15
- 3870 E15
- 3871 E15
- 3872 E15
- 3873 D15
- 3874 D15
- 3875 E15
- 3876 F15
- 3877 E15
- 3879 E15
- 3879 E16
- 3880 E16
- 3881 E16
- 3882 E15
- 3883 E15
- 3884 E15
- 3885 F15
- 3886 F14
- 3891 E13
- 3892 E14
- 3893 D13
- 3894 D14
- 3895 D14
- 3899 D14
- 3900 D15
- 3901 C13
- 3902 C13
- 3903 D13
- 3904 D14
- 3904 D14
- 3906 D13
- 3907 E13
- 3908 D14
- 3910 B15
- 3913 B15
- 3915 B15
- 3916 C15
- 3920 D14
- 3921 C13
- 3928 B15
- 3929 B16
- 3930 D13
- 3931 D13
- 3932 C14
- 3933 B15
- 3934 B15
- 3935 B15
- 3936 B15
- 3937 A15
- 4804 B13
- 4805 B13
- 4806 B13
- 4808 C13
- 4809 B13
- 4810 D13
- 4811 C14
- 4814 B13
- 4818 D13
- 4820 E13
- 4821 E13
- 4823 E13
- 4826 E14
- 4827 E14
- 4838 D16
- 4839 D16
- 4840 B15
- 4842 F16
- 4845 D16
- 4846 B14
- 4847 B14
- 4848 D15
- 4849 D15
- 4852 D15
- 4853 F16
- 4854 B15
- 4856 E13
- 4857 D13
- 5804 A16
- 5805 D15
- 5806 D15
- 5807 C15
- 5808 B15
- 5809 C16
- 6877 E16
- 7800 C15
- 7802 C13
- 7810 E15
- 7815 E16
- 7875 E16
- 7876 D13

CIRCUIT DIAGRAM - MP3 DECODER BOARD

1900 C2	2904 I3	2911 G8	2917 E2	2923 F3	2929 B4	2935 A12	3903 C6	3909 C7	3915 D3	3921 G6	3927 C12	3933 F1	3940 A3	3952 A6	3958 D8	4904 D12	5905 G7	5914 C3	7904 E13	7905-F H13	F902 A3	F908 C3	F921 C8	F931 A10	F937 A11	F943 F6
1901 G8	2905 I5	2912 G8	2918 E2	2924 F3	2930 B4	2941 G4	3904 C6	3910 C7	3916 F5	3922 G6	3928 C13	3934 F1	3941 A3	3953 A8	3960 I7	5900 A4	5906 A11	7900 I2	7905-A H10	7907-A A13	F903 A3	F909 C3	F922 C8	F932 A10	F938 B11	F944 F7
2900 H1	2906 I7	2913 E1	2919 E2	2925 F3	2931 B4	2942 E11	3905 B7	3911 B8	3917 G4	3923 G6	3929 I7	3935 F1	3942 B3	3954 A8	5907 A12	5911 B3	7901 I6	7905-B H10	7907-B B13	F904 B3	F910 A3	F923 F8	F933 B10	F939 B11	F945 F7	
2901 I2	2907 I8	2914 E1	2920 F2	2926 A4	2932 C4	2940 B6	3906 C7	3912 D6	3918 G5	3924 D11	3930 I7	3936 F1	3947 G8	3955 A8	4901 G8	5902 D1	7902 E6	7905-C H11	7910 A7	F905 B3	F911 A4	F924 F8	F934 C10	F940 A13	F946 F7	
2902 I2	2908 A11	2915 E2	2921 F2	2927 A4	2933 C4	2941 G4	3907 C7	3913 D3	3919 G5	3925 B12	3931 E1	3938 E11	3950 B4	3956 C8	4902 G9	5903 E1	7903-A A11	7905-D H11	F900 A3	F906 B3	F912 H8	F925 F8	F935 A11	F941 A7	F947 F7	
2903 I3	2910 H7	2916 E2	2922 F3	2928 B4	2934 F15	2942 E11	3908 B7	3914 D3	3920 G5	3926 C12	3932 E1	3939 A3	3951 A6	3957 C8	4903 D12	5904 D11	7903-B B11	7905-E H12	F901 A3	F907 C3	F913 C3	F926 F8	F936 A11	F942 F7	F948 F7	
	1	2	3	4	5	6	7	8	9	10	11	12	13	14	15											



FLASH MEMORY

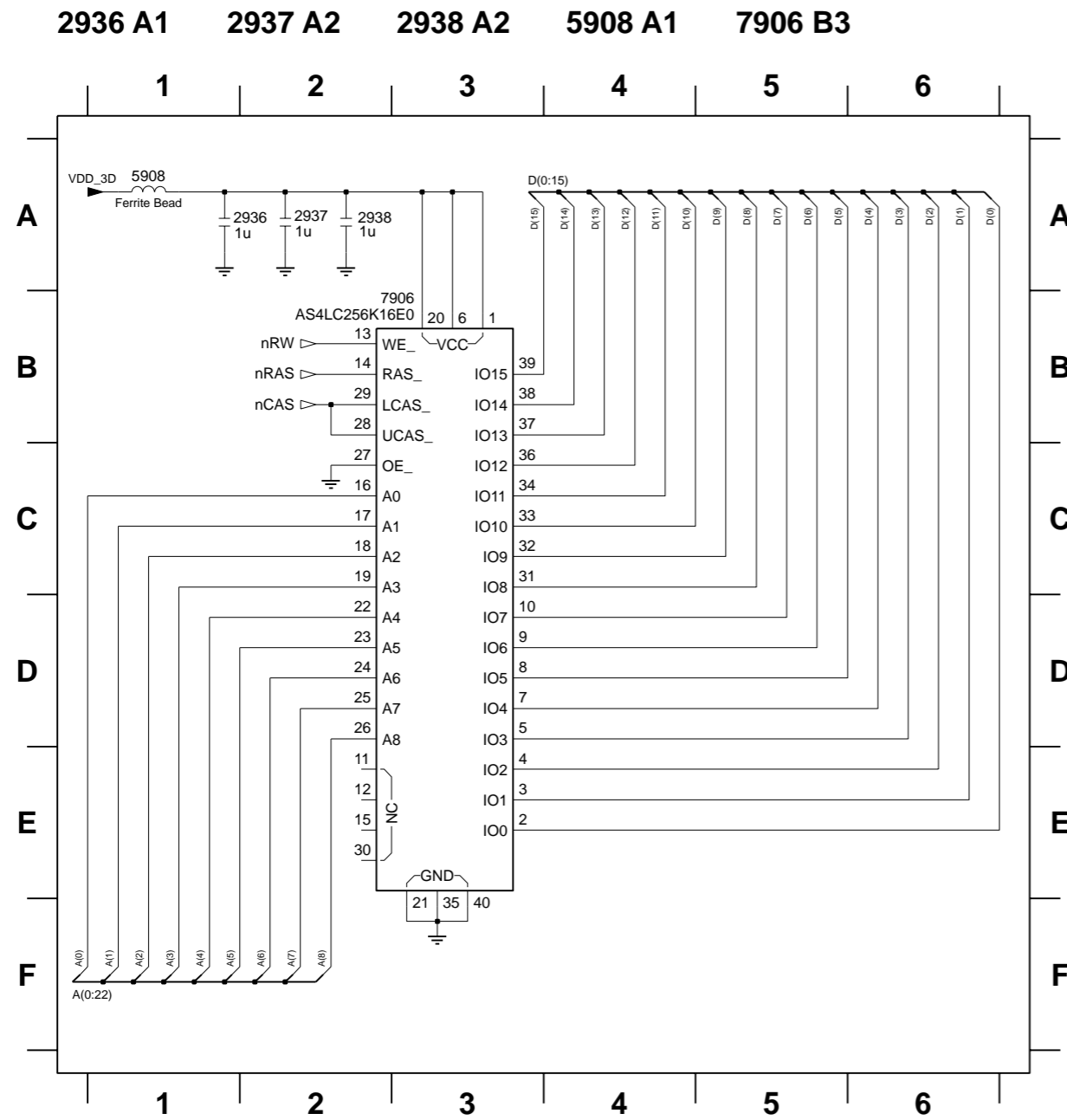
DIGITAL SIGNAL PROCESSOR

3V3 REGULATOR

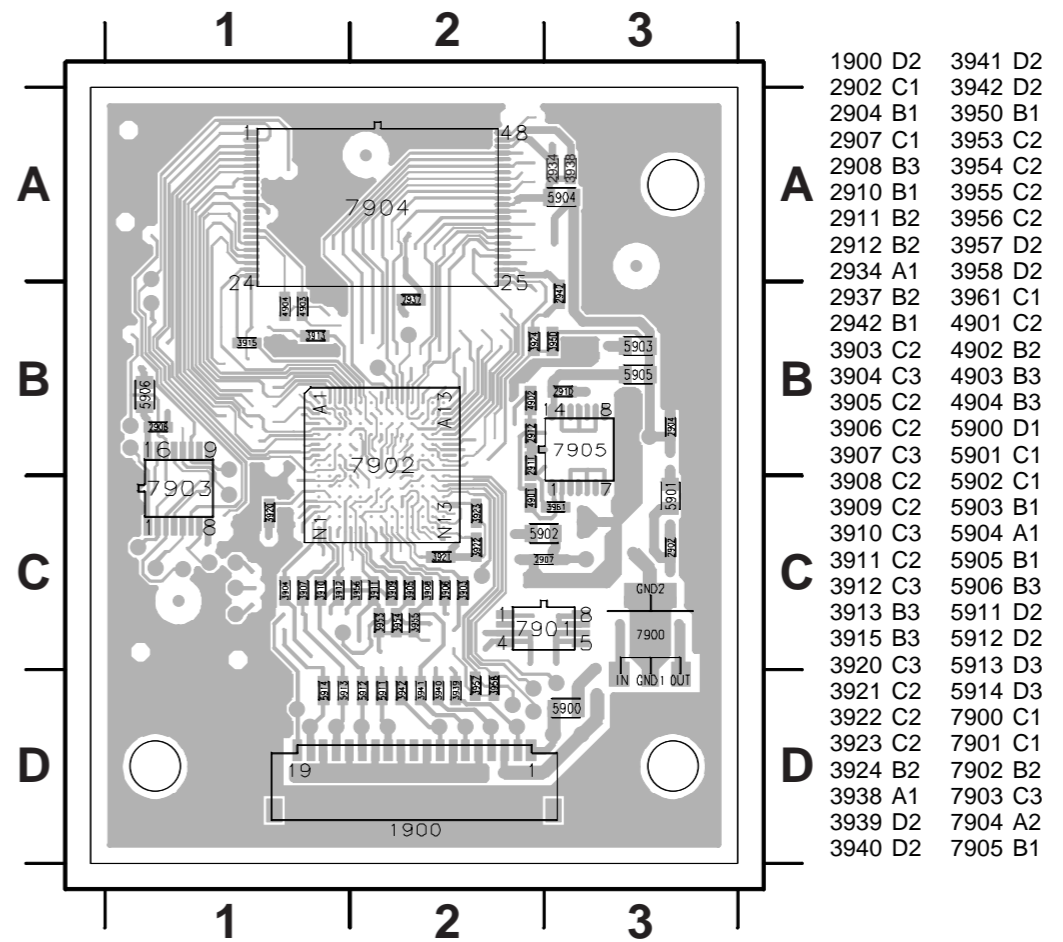
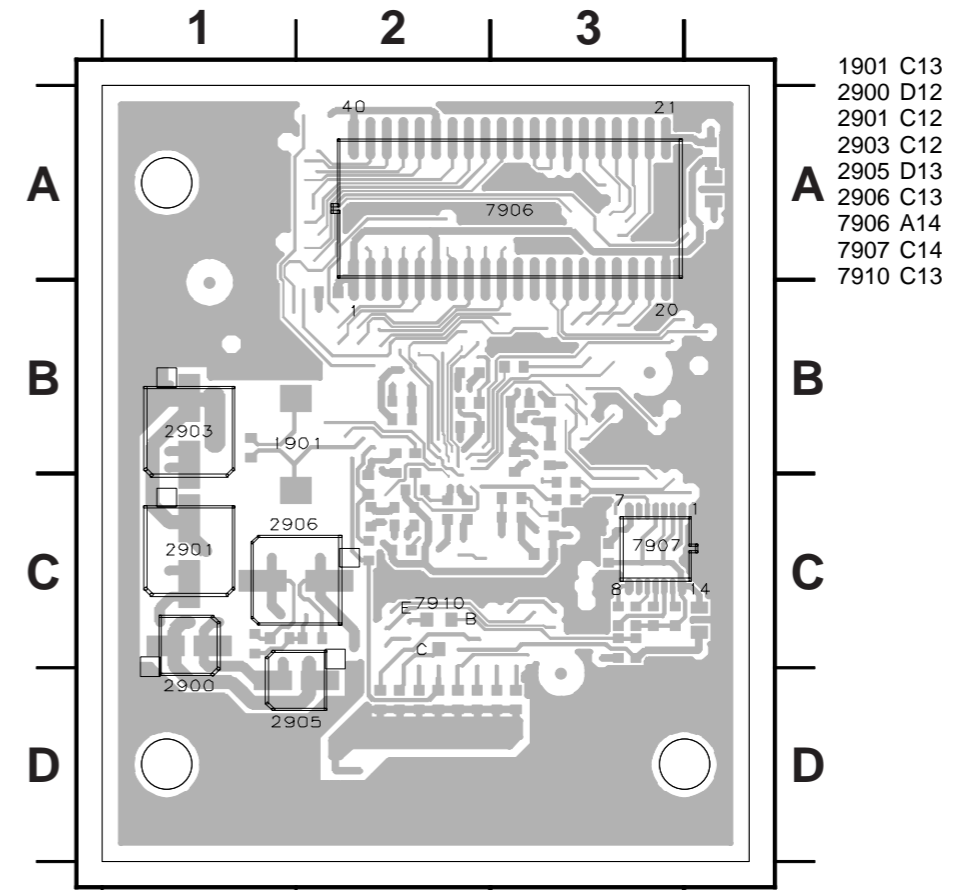
1V6 REGULATOR

* = 1% TOLERANCE

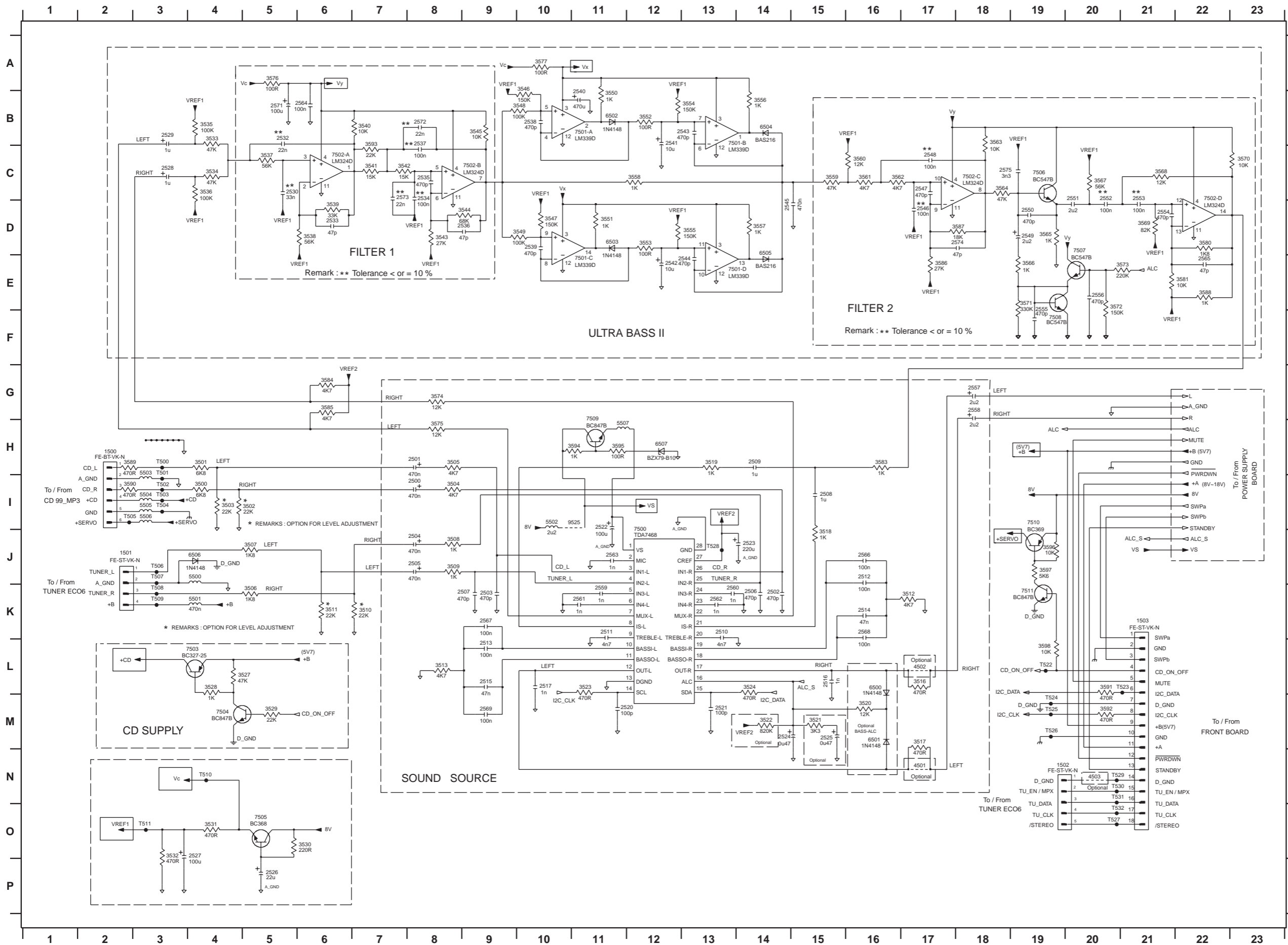
LAYOUT DIAGRAM - MP3 DECODER BOARD



DECODER BOARD - LAYOUT DIAGRAM

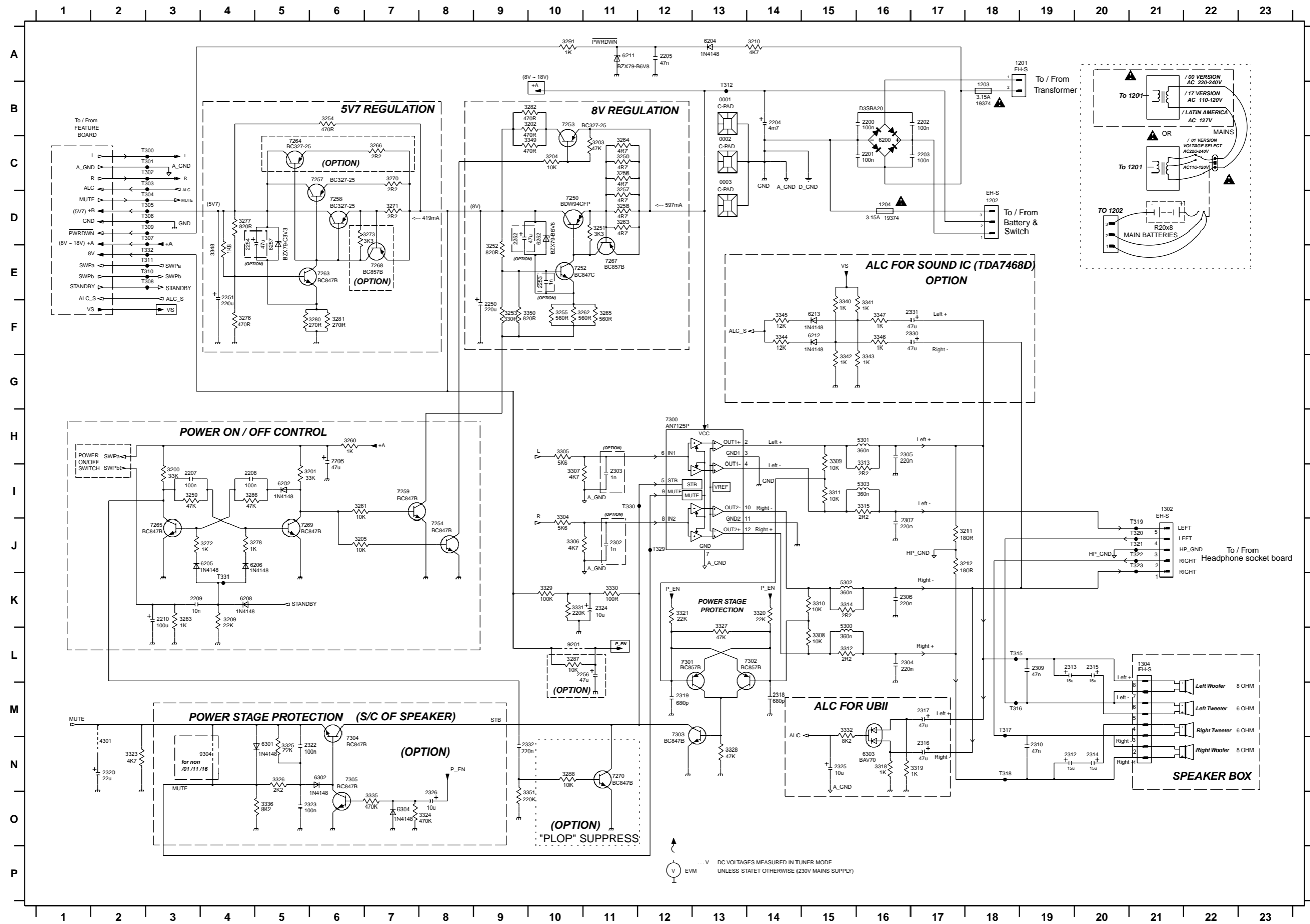


CIRCUIT DIAGRAM - AF BOARD (PART 1)



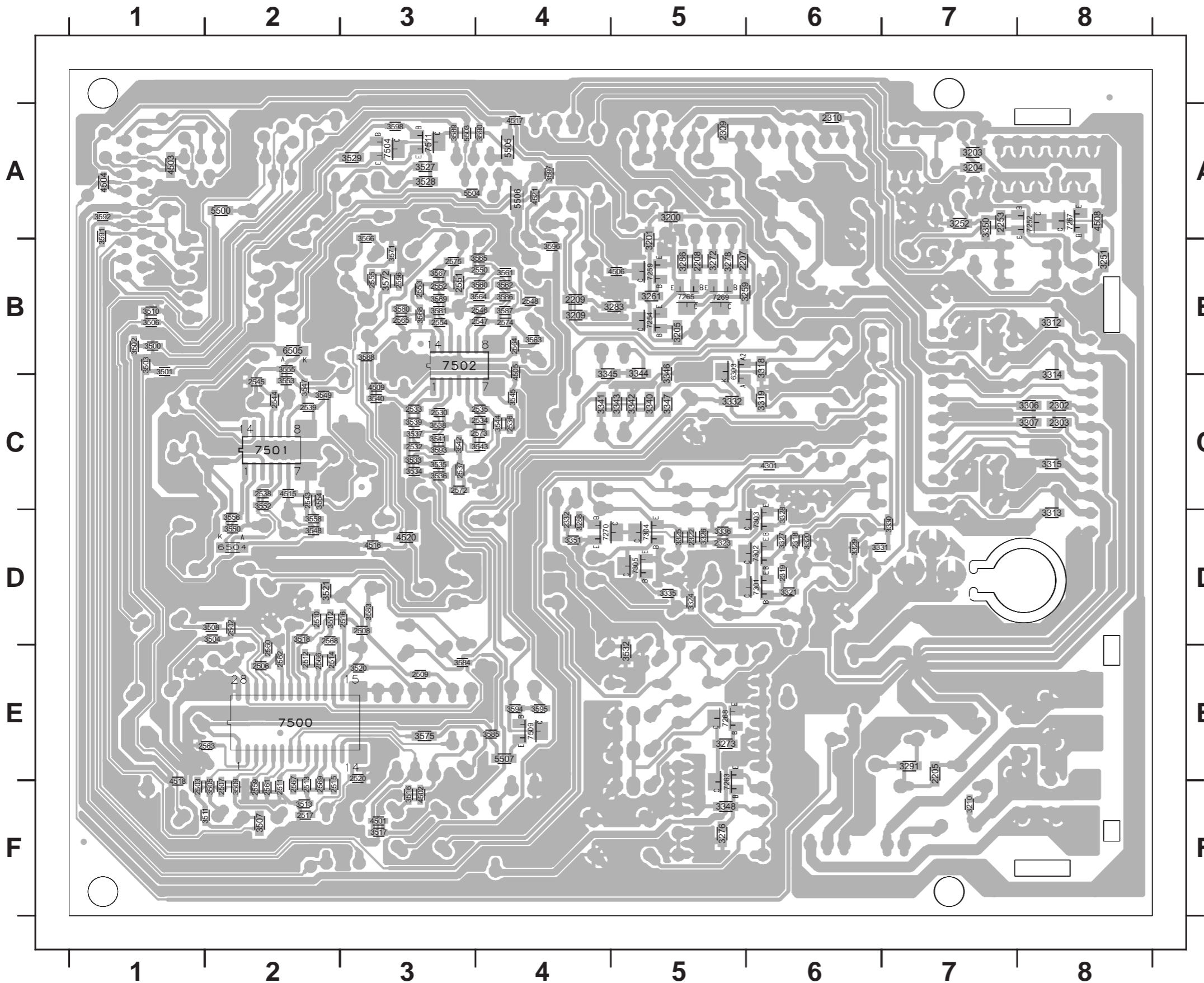
- 1500 H2
- 1501 J2
- 1502 N20
- 1503 K21
- 2500 I8
- 2501 H8
- 2502 K14
- 2503 K9
- 2504 J8
- 2505 J8
- 2506 K14
- 2507 K9
- 2508 I15
- 2509 H14
- 2510 K13
- 2511 K11
- 2512 J16
- 2513 L9
- 2514 K16
- 2515 L9
- 2516 L15
- 2517 L10
- 2520 M12
- 2521 M13
- 2522 I11
- 2523 J14
- 2524 M14
- 2525 M15
- 2526 P5
- 2527 O4
- 2528 C3
- 2529 B3
- 2530 C5
- 2531 B5
- 2532 D6
- 2533 C8
- 2534 C8
- 2535 C8
- 2536 D9
- 2537 B8
- 2538 B10
- 2539 D10
- 2540 B11
- 2541 B12
- 2542 E12
- 2543 B13
- 2544 E13
- 2545 D14
- 2546 D17
- 2547 C17
- 2548 C17
- 2549 D19
- 2550 D19
- 2551 C20
- 2552 C20
- 2553 C21
- 2554 D21
- 2555 F19
- 2556 E20
- 2557 G18
- 2558 G18
- 2559 K11
- 2560 K13
- 2561 K11
- 2562 K13
- 2563 J11
- 2564 B6
- 2565 E22
- 2566 J16
- 2567 K9
- 2568 K16
- 2569 M9
- 2571 B5
- 2572 B8
- 2573 C7
- 2574 D18
- 2575 C18
- 2576 I4
- 2577 H4
- 2578 I4
- 2579 H4
- 2580 H4
- 2581 H4
- 2582 I5
- 2583 I4
- 2584 H8
- 2585 H8
- 2586 K5
- 2587 J5
- 2588 J8
- 2589 J8
- 2590 K7
- 2591 K6
- 2592 K17
- 2593 L8
- 2594 L17
- 2595 M17
- 2596 H13
- 2597 M16
- 2598 M16
- 2599 M14
- 2599 M16
- 2600 M15
- 2601 M14
- 2602 M14
- 2603 L11
- 2604 L14
- 2605 L5
- 2606 L4
- 2607 M5
- 2608 O6
- 2609 O4
- 2610 O3
- 2611 B4
- 2612 C4
- 2613 B4
- 2614 C4
- 2615 C5
- 2616 D6
- 2617 D6
- 2618 E7
- 2619 B9
- 2620 D10
- 2621 B10
- 2622 D10
- 2623 B11
- 2624 D11
- 2625 B12
- 2626 D12
- 2627 C12
- 2628 C15
- 2629 C16
- 2630 C16
- 2631 C16
- 2632 C16
- 2633 B18
- 2634 C18
- 2635 D19
- 2636 E19
- 2637 C20
- 3568 C21
- 3569 C23
- 3571 E19
- 3572 E20
- 3573 E21
- 3574 G8
- 3575 H8
- 3576 A5
- 3577 A10
- 3580 D22
- 3581 E22
- 3583 H16
- 3584 G6
- 3585 G6
- 3586 E17
- 3587 D18
- 3588 E22
- 3589 H2
- 3590 I2
- 3591 L20
- 3592 M20
- 3593 C7
- 3594 H11
- 3595 H11
- 3596 J19
- 3597 J19
- 3598 L19
- 3599 N17
- 4502 L17
- 4503 N20
- 5500 J4
- 5501 I10
- 5502 I10
- 5503 H3
- 5504 I3
- 5505 I3
- 5506 I3
- 5507 H11
- 5508 L16
- 5509 M16
- 5510 B11
- 5511 D11
- 5512 B14
- 5513 D14
- 5514 J4
- 5515 H12
- 5516 J12
- 5517 A-B11
- 5518 B13
- 5519 E11
- 5520 E13
- 5521 C6
- 5522 B9
- 5523 C18
- 5524 D21
- 5525 L3
- 5526 O5
- 5527 G18
- 5528 D20
- 5529 F19
- 5530 H11
- 5531 I19
- 5532 K19
- 5533 I11
- 5534 H3
- 5535 H3
- 5536 I3
- 5537 I3
- 5538 I3
- 5539 J3
- 5540 J3
- 5541 J3
- 5542 L19
- 5543 L21
- 5544 M19
- 5545 H8
- 5546 M19
- 5547 O20
- 5548 J13
- 5549 N20
- 5550 K7
- 5551 N20
- 5552 O20
- 5553 H13
- 5554 M16
- 5555 M16
- 5556 M14
- 5557 L11
- 5558 L14
- 5559 L5
- 5560 L4
- 5561 M5
- 5562 O6
- 5563 O4
- 5564 O3
- 5565 B4
- 5566 C4
- 5567 C5
- 5568 D6
- 5569 D6
- 5570 E7
- 5571 B9
- 5572 D10
- 5573 B10
- 5574 D10
- 5575 B11
- 5576 D11
- 5577 B12
- 5578 D12
- 5579 C12
- 5580 C15
- 5581 C16
- 5582 C16
- 5583 C16
- 5584 B18
- 5585 D19
- 5586 E19
- 5587 C20

CIRCUIT DIAGRAM - AF BOARD (PART 2)



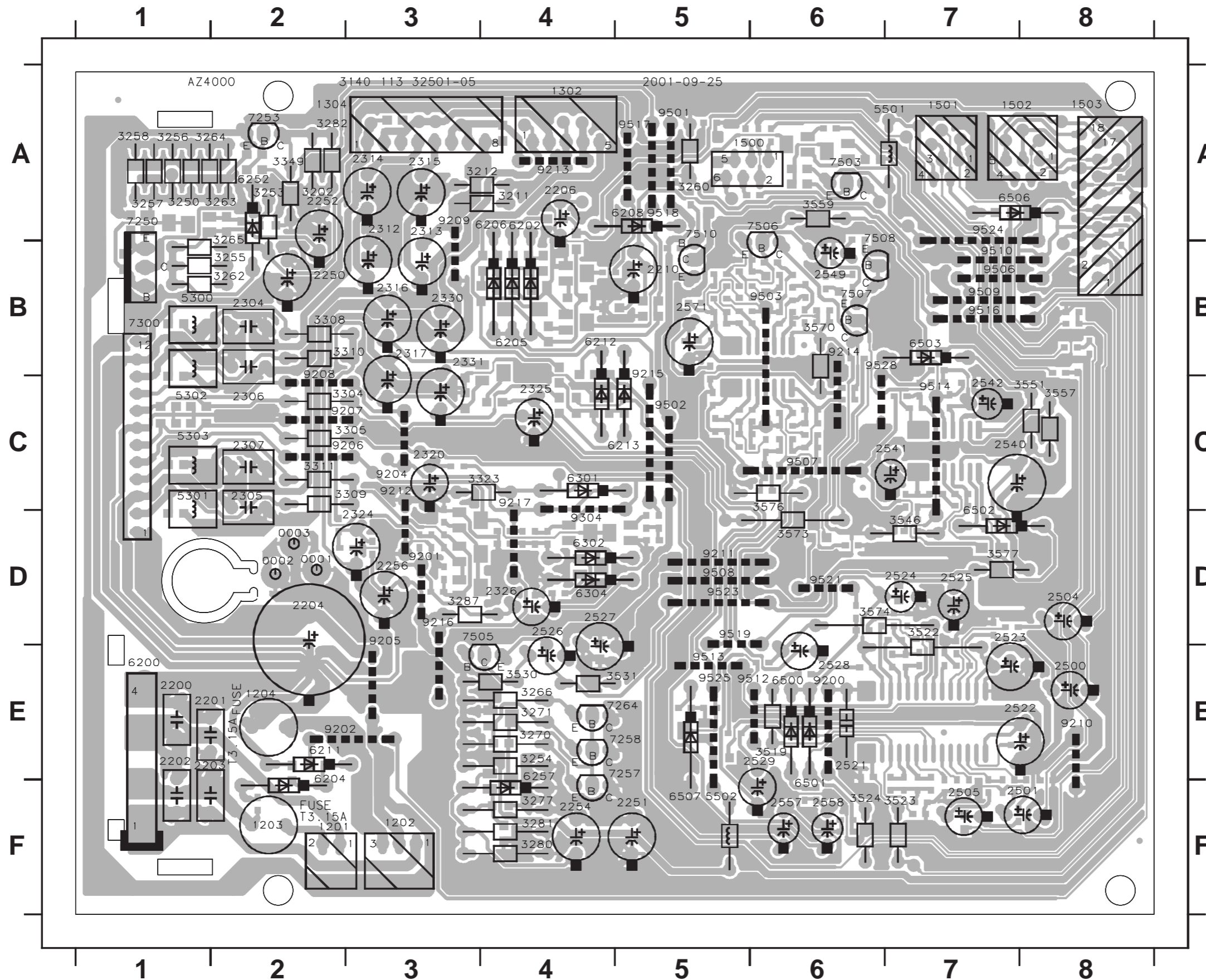
0001 B13	5303 H16
0002 C13	6200 C16
0003 C13	6202 I5
1201 A18	6204 A13
1202 D18	6205 J4
1203 B18	6206 J5
1204 D16	6208 K4
1302 I21	6211 A11
1304 L21	6212 F15
2200 B16	6213 F15
2201 C16	6252 D10
2202 B17	6257 D5
2203 C17	6301 M5
2204 B14	6302 N6
2205 A12	6303 N16
2206 H6	6304 O7
2207 I3	7250 D10
2208 I4	7252 E10
2209 K3	7253 B10
2210 K3	7254 J8
2211 K3	7257 C6
2212 I3	7258 D6
2252 D9	7259 I7
2253 E10	7263 E6
2254 D4	7264 C5
2256 L11	7265 J3
2302 J11	7267 E11
2303 I11	7268 E7
2304 L16	7269 J5
2305 H16	7270 N11
2306 K16	7300 H12
2307 J16	7301 L12
2309 L19	7302 L14
2310 N19	7303 M12
2312 N19	7304 M6
2313 L19	7305 N6
2314 N20	9201 L10
2315 L20	9304 N4
2316 N17	T300 C3
2317 M17	T301 C3
2318 M14	T302 C3
2319 M12	T303 C3
2320 N2	T304 D3
2322 N6	T305 D3
2323 O6	T306 D3
2324 K11	T307 D3
2325 N15	T308 E3
2326 O8	T309 D3
2330 F17	T310 E3
2331 F17	T311 E3
2332 N9	T312 B13
3200 I3	T315 L18
3201 I6	T316 M18
3202 B10	T317 M18
3203 C11	T318 N18
3204 C10	T319 J21
3205 J6	T320 J21
3209 K4	T321 J21
3210 A14	T322 J21
3211 J18	T323 J21
3212 I18	T329 J12
3250 C11	T330 H11
3251 D11	T331 K4
3252 E9	T332 E3
3253 F9	
3254 B6	
3255 F10	
3257 D11	
3258 D11	
3259 I3	
3260 H6	
3261 I6	
3262 F11	
3263 D11	
3264 C11	
3265 F11	
3266 C7	
3270 C7	
3271 D7	
3272 J4	
3273 D7	
3276 F4	
3277 D4	
3278 J5	
3280 F6	
3281 F6	
3282 B10	
3283 K3	
3286 I4	
3287 L10	
3288 N10	
3291 J10	
3304 J10	
3305 H10	
3306 J10	
3307 I10	
3308 L15	
3309 H15	
3310 K15	
3311 I15	
3312 L15	
3313 I16	
3314 K15	
3315 I16	
3318 N16	
3319 N17	
3320 K14	
3321 K12	
3323 N2	
3324 O8	
3325 N5	
3326 N5	
3327 L13	
3328 N13	
3329 K11	
3330 K11	
3331 K10	
3332 M15	
3335 O7	
3336 O5	
3340 F15	
3341 F16	
3342 G15	
3343 G16	
3344 F14	
3345 F14	
3346 F16	
3347 F16	
3348 E4	
3349 C10	
3350 F10	
3351 O10	
4301 N2	
5300 L15	
5301 H16	
5302 K15	

LAYOUT DIAGRAM - AF BOARD (SOLDER SIDE)



2205 E7	2574 B4	3511 F2	3597 A4
2207 B5	2575 B3	3512 D2	3598 A3
2208 B5	3200 A5	3513 F2	4301 C6
2209 B4	3201 B5	3516 F3	4501 F3
2253 A7	3203 A7	3517 F3	4502 F3
2302 C8	3204 A7	3518 D2	4503 A1
2303 C8	3205 B5	3520 E3	4504 A1
2309 A5	3209 B4	3521 D2	4505 B4
2310 A6	3210 F7	3527 A3	4506 B5
2318 D6	3251 B8	3528 A3	4508 A8
2319 D6	3252 A7	3529 A3	4509 C3
2322 D5	3259 B5	3532 E5	4515 C2
2323 D5	3261 B5	3533 C3	4516 D3
2332 D4	3272 B5	3534 C3	4517 A4
2502 D2	3273 E5	3535 C3	4518 F1
2503 F1	3276 F5	3536 C3	4520 D3
2506 E2	3278 B5	3537 C3	4521 A4
2507 F2	3283 B5	3538 C3	5500 A2
2508 D3	3286 B5	3539 C3	5503 A3
2509 E3	3288 D4	3540 C3	5504 A3
2510 D2	3291 E7	3541 C3	5505 A4
2511 F2	3306 C8	3542 C3	5506 A4
2512 E2	3307 C8	3543 C4	5507 E4
2513 F2	3312 B8	3544 C4	6303 B5
2514 E2	3313 D8	3545 C4	6504 D2
2515 F2	3314 C8	3547 C2	6505 B2
2516 D3	3315 C8	3548 D2	7252 A8
2517 F2	3318 B6	3549 C2	7254 B5
2520 E3	3319 C6	3550 D2	7259 B5
2530 C3	3320 D6	3552 C2	7263 F5
2532 C3	3321 D6	3553 C2	7265 B5
2533 C3	3324 D5	3554 C2	7267 A8
2534 C4	3325 D5	3555 B2	7268 E5
2535 C4	3326 D5	3556 D2	7269 B5
2536 C4	3327 D6	3558 D2	7270 D4
2537 C3	3328 D6	3560 B4	7301 D6
2538 C2	3329 D6	3561 B4	7302 D6
2539 C2	3330 D7	3562 B4	7303 D6
2543 C2	3331 D6	3563 B4	7304 D5
2544 C2	3332 C5	3564 B4	7305 D5
2545 C2	3335 D5	3565 B4	7500 E2
2546 B4	3336 D5	3566 A3	7501 C2
2547 B4	3340 C5	3567 B3	7502 B3
2548 B4	3341 C4	3568 B3	7504 A3
2550 B4	3342 C5	3569 B3	7509 E4
2551 B3	3343 C5	3571 B3	7511 A3
2552 B3	3344 B5	3572 B3	
2553 B3	3345 B4	3575 E3	
2554 B3	3346 B5	3580 B3	
2555 B3	3347 C5	3581 B3	
2556 B3	3348 F5	3583 D3	
2559 F2	3350 A7	3584 E3	
2560 E2	3351 D4	3585 E4	
2561 F2	3500 B1	3586 B4	
2562 E2	3501 B1	3587 B4	
2563 E2	3502 B1	3588 B3	
2564 B4	3503 B1	3589 A3	
2565 B3	3504 D2	3590 A4	
2566 E2	3505 F2	3591 A1	
2567 F2	3506 B1	3592 A1	
2568 D2	3507 F2	3593 C3	
2569 F2	3508 D2	3594 E4	
2572 C3	3509 F2	3595 E4	
2573 C4	3510 B1	3596 B4	

LAYOUT DIAGRAM - AF BOARD (COMPONENT SIDE)



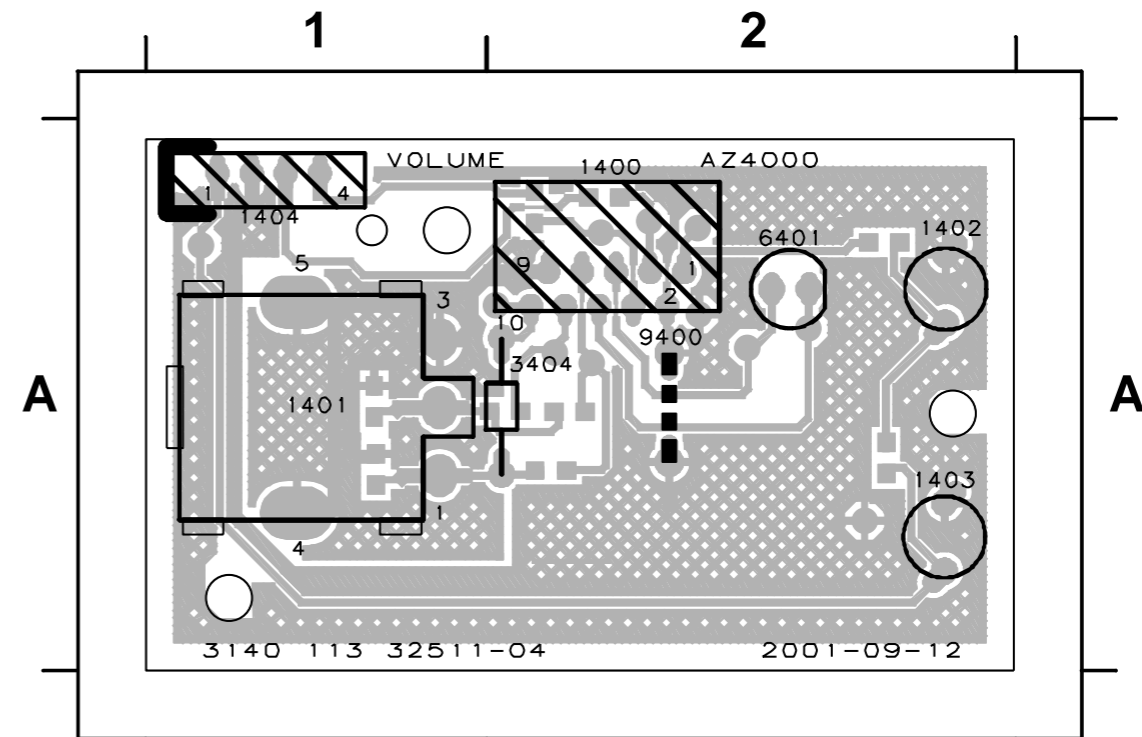
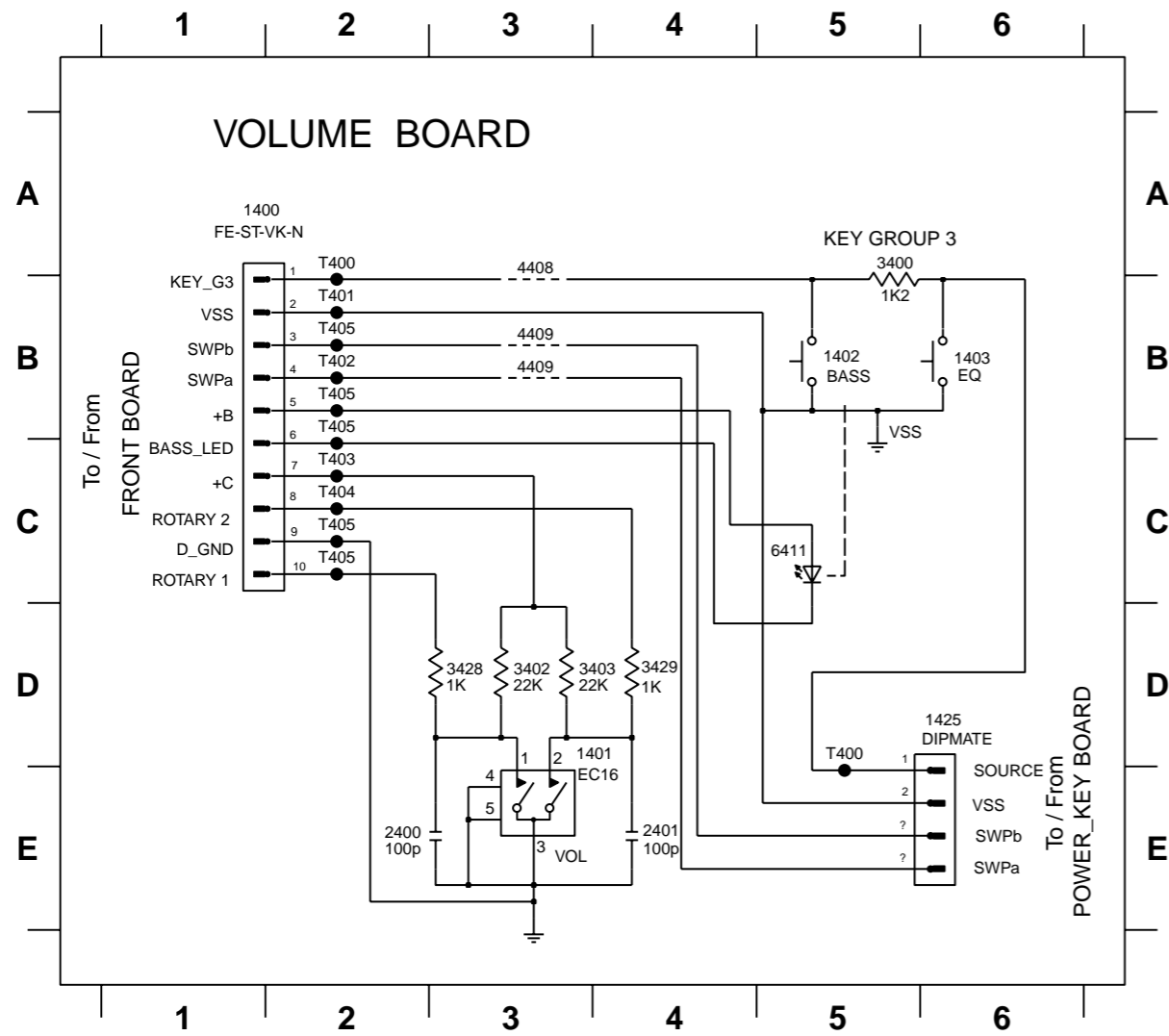
0001 D2	3202 A2	6252 A2
0002 D2	3211 A4	6257 E4
0003 D2	3212 A4	6301 C4
1201 F2	3250 A1	6302 D4
1202 F3	3253 A2	6304 D4
1203 F2	3254 E4	6500 E6
1204 E2	3255 B2	6501 F6
1302 A4	3256 A1	6502 C7
1304 A2	3257 A1	6503 B7
1500 A5	3258 A1	6506 A7
1501 A7	3260 A5	6507 F5
1502 A7	3262 B2	7250 A1
1503 A8	3263 A2	7253 A2
2200 E1	3264 A1	7257 E5
2201 E1	3265 A2	7258 E5
2202 E1	3266 E4	7264 E5
2203 E1	3270 E4	7300 B1
2204 D2	3271 E4	7503 A6
2206 A4	3277 F4	7505 D3
2210 B5	3280 F4	7506 A6
2250 B2	3281 F4	7507 B6
2251 F5	3282 A2	7508 A6
2252 A2	3287 D3	7510 A5
2254 F4	3304 C3	9200 E6
2256 D3	3305 C3	9201 D3
2304 B2	3308 B2	9202 E2
2305 C2	3309 C3	9204 C3
2306 C2	3310 B3	9205 D3
2307 C2	3311 C2	9206 C3
2312 A3	3323 C4	9207 C3
2313 A3	3349 A2	9208 B2
2314 A3	3519 E6	9209 A3
2315 A3	3522 D7	9210 E8
2316 B3	3523 F7	9211 D5
2317 B3	3524 F6	9212 C3
2320 C3	3530 E4	9213 A4
2324 D4	3531 E5	9214 B6
2325 C4	3546 D7	9215 B5
2326 D4	3551 C8	9216 D3
2330 B3	3557 C8	9217 C4
2331 B3	3559 A6	9304 D4
2500 E8	3570 B6	9501 A5
2501 F8	3573 D6	9502 C5
2504 D8	3574 D6	9503 B6
2505 F7	3576 C6	9506 B7
2521 E6	3577 D7	9507 C6
2522 E8	5300 B1	9508 D5
2523 D7	5301 C1	9509 B7
2524 D7	5302 C1	9510 B7
2525 D7	5303 C1	9512 E6
2526 D4	5501 A7	9513 E5
2527 D4	5502 F5	9514 C7
2528 E6	6200 E1	9516 B7
2529 E6	6202 A4	9517 A5
2540 C7	6204 E2	9518 A5
2541 C7	6205 B4	9519 D5
2542 C7	6206 A4	9521 D6
2549 B6	6208 A5	9523 D5
2557 F6	6211 E2	9524 A7
2558 F6	6212 B4	9525 E5
2571 B5	6213 C5	9528 B6

CIRCUIT DIAGRAM - VOLUME BOARD

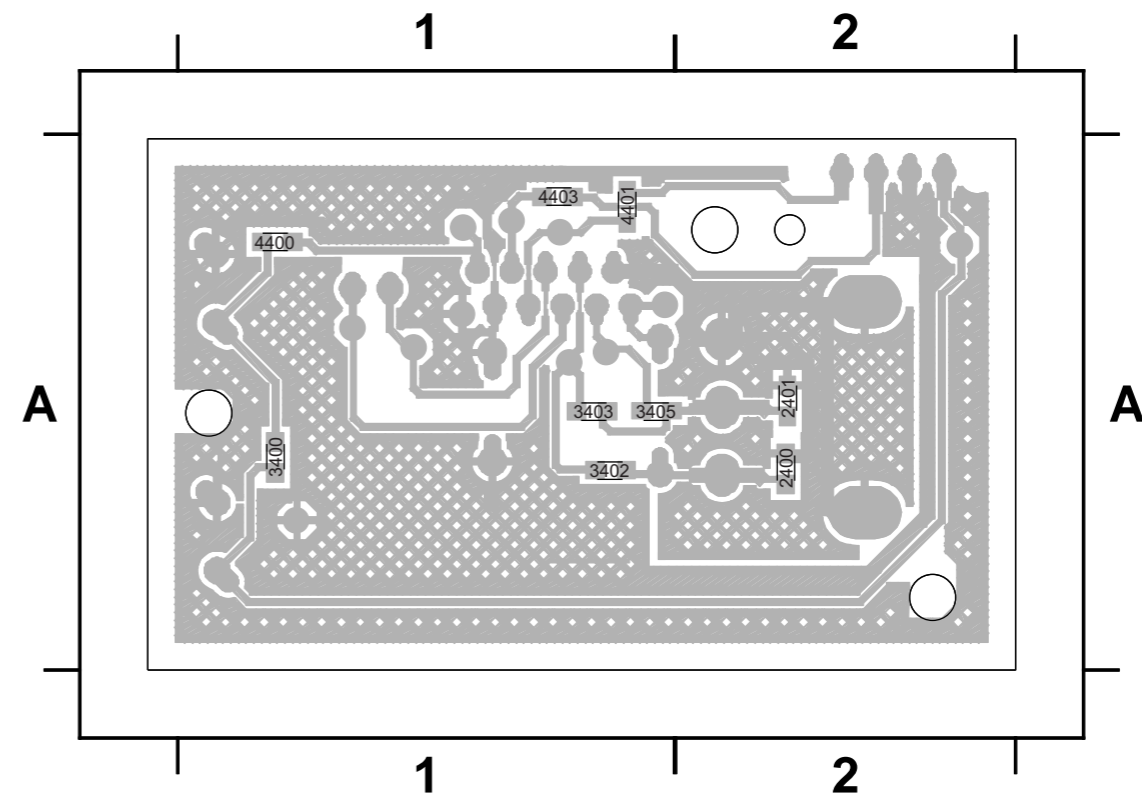
LAYOUT DIAGRAM - VOLUME BOARD

1400 A2	1403 B6	2401 E4	3403 D4	4408 A3	6411 C5	T401 B2	T404 C2	T405 B2
1401 D3	1425 D6	3400 A5	3428 D3	4409 B3	T400 A2	T402 B2	T405 B2	T405 C2
1402 B5	2400 E2	3402 D3	3429 D4	4409 B3	T400 D5	T403 C2	T405 B2	T405 C2

1400 A2	1402 A2	1404 A1	6401 A2
1401 A1	1403 A2	3404 A2	9400 A2

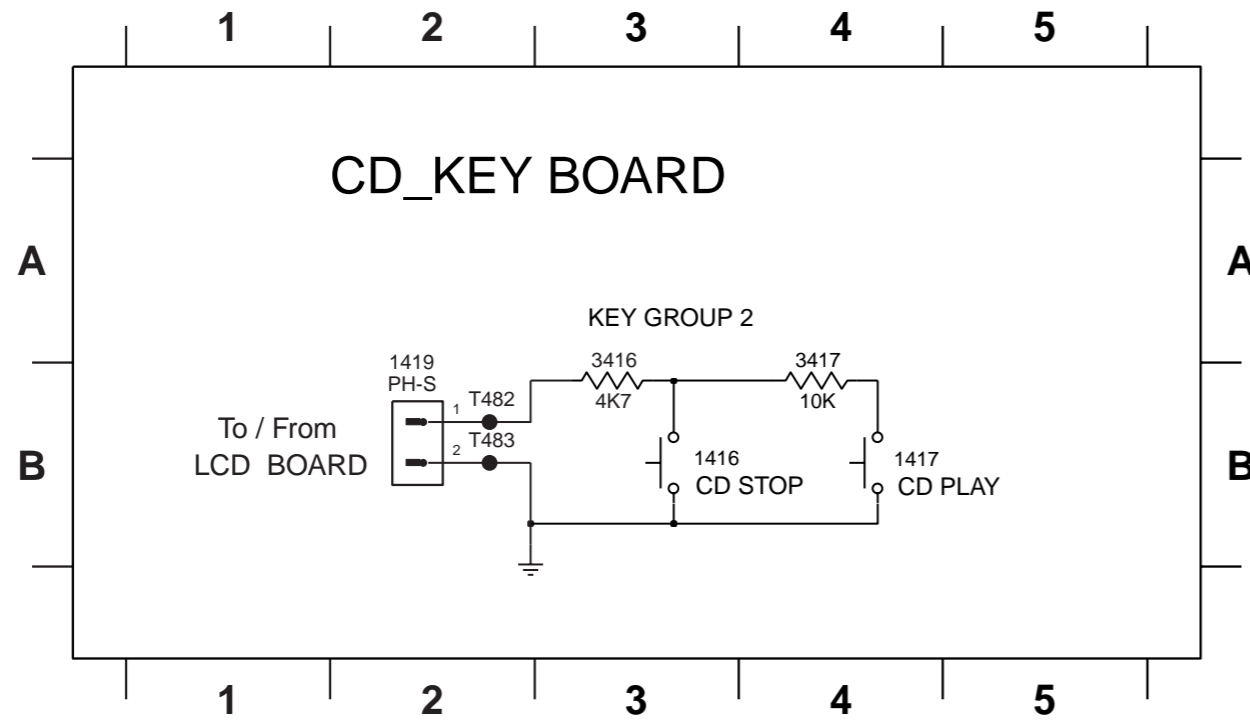


2400 A2	3400 A1	3403 A1	4400 A1	4403 A1
2401 A2	3402 A1	3405 A1	4401 A1	

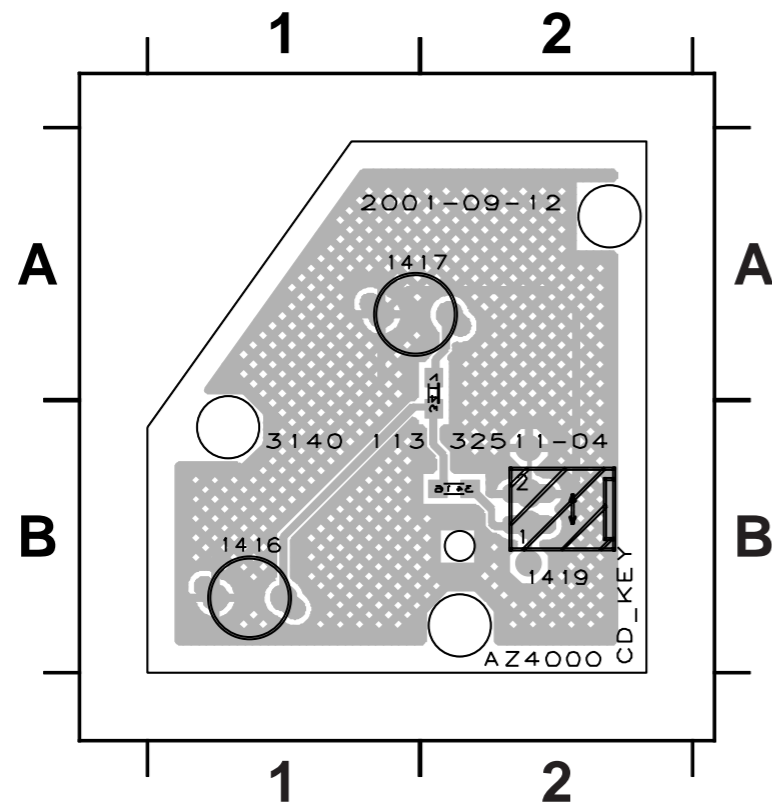


CIRCUIT DIAGRAM - CD KEY BOARD

1416 B3 1417 B4 1419 B2 3416 B3 3417 B4 T482 B2 T483 B2



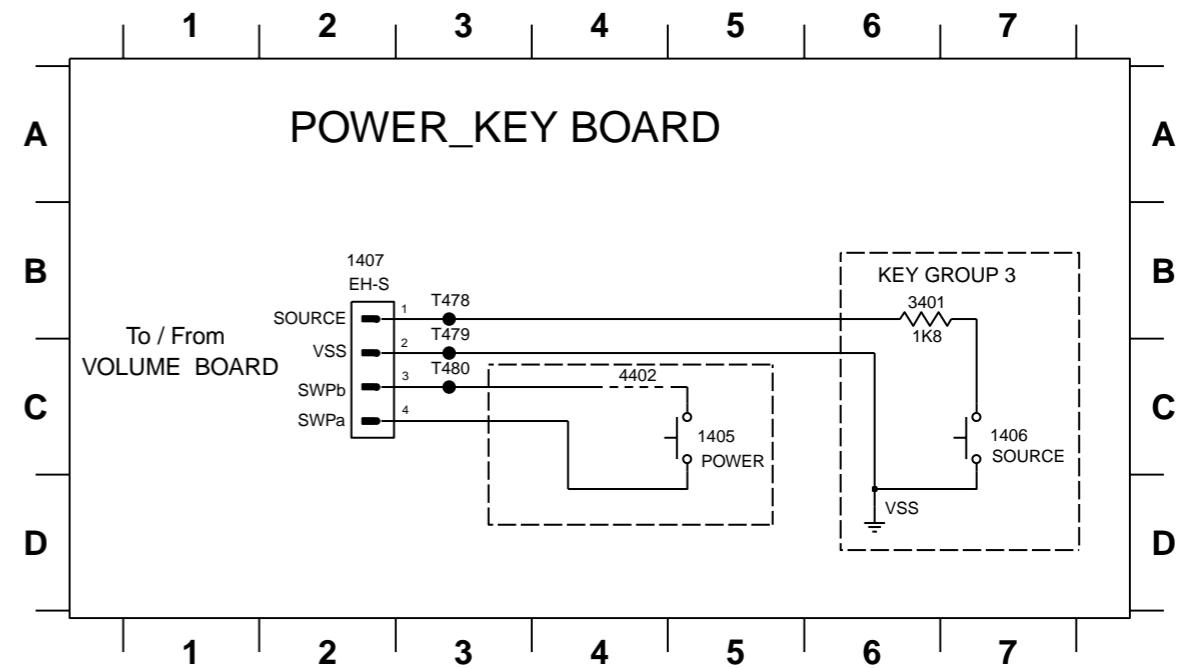
LAYOUT DIAGRAM - CD KEY BOARD



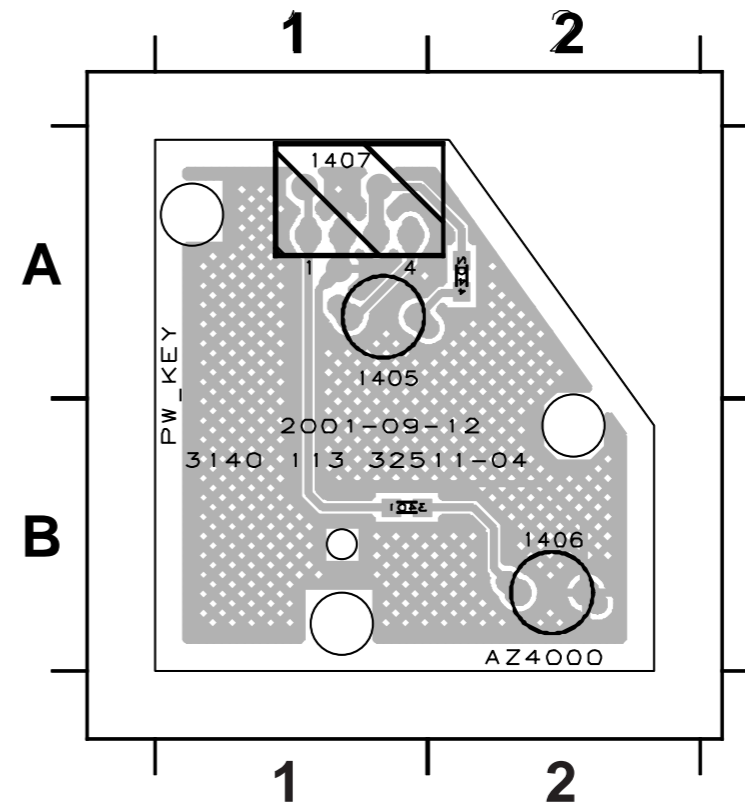
1416 B1
 1417 A1
 1419 B2
 3416 B2
 3417 A2

CIRCUIT DIAGRAM - POWER KEY BOARD

1405 C5 1406 C7 1407 B2 3401 B6 4402 C4 T478 B3 T479 C3 T480 C3

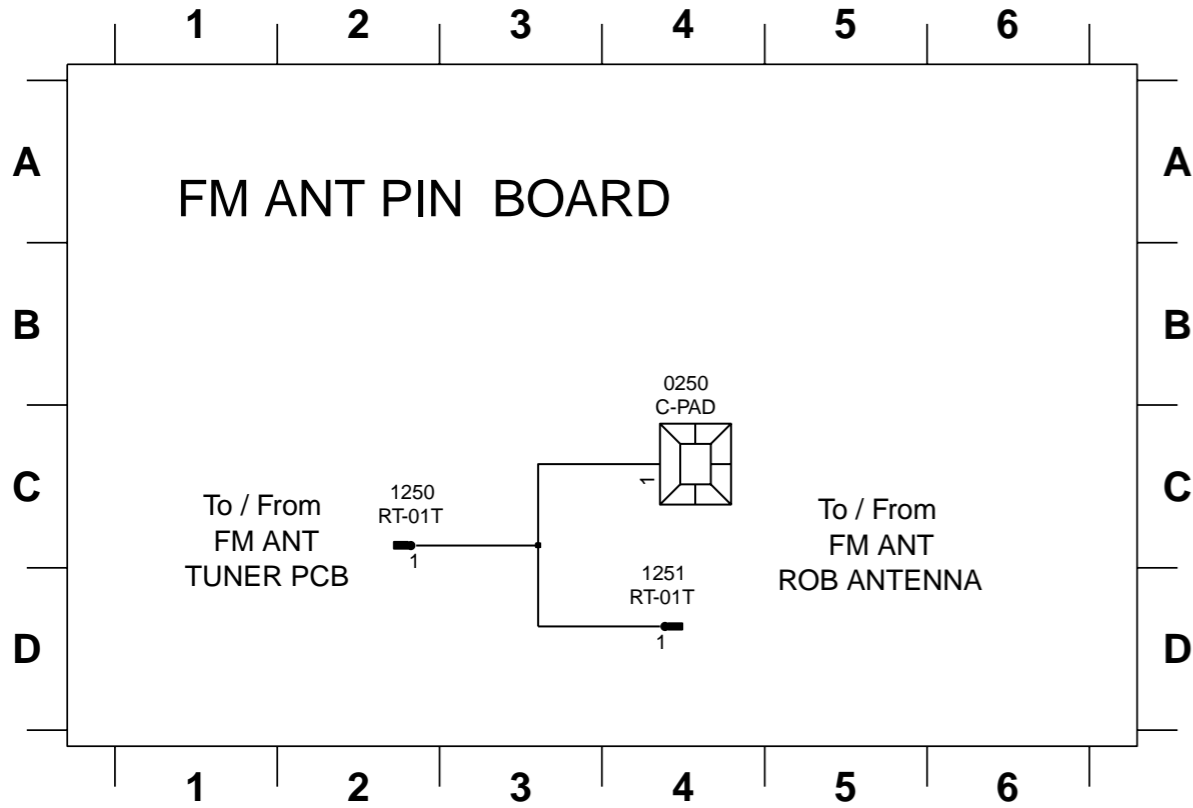


LAYOUT DIAGRAM - POWER KEY BOARD



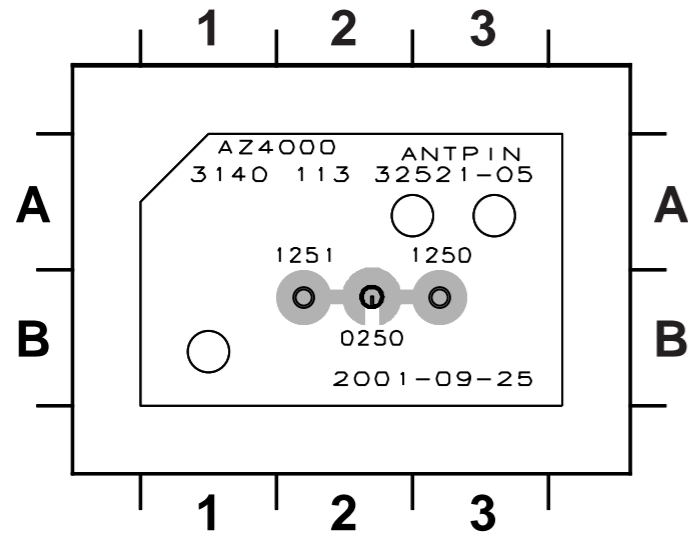
CIRCUIT DIAGRAM - FM ANT BOARD

0250 B4 1250 C2 1251 D4



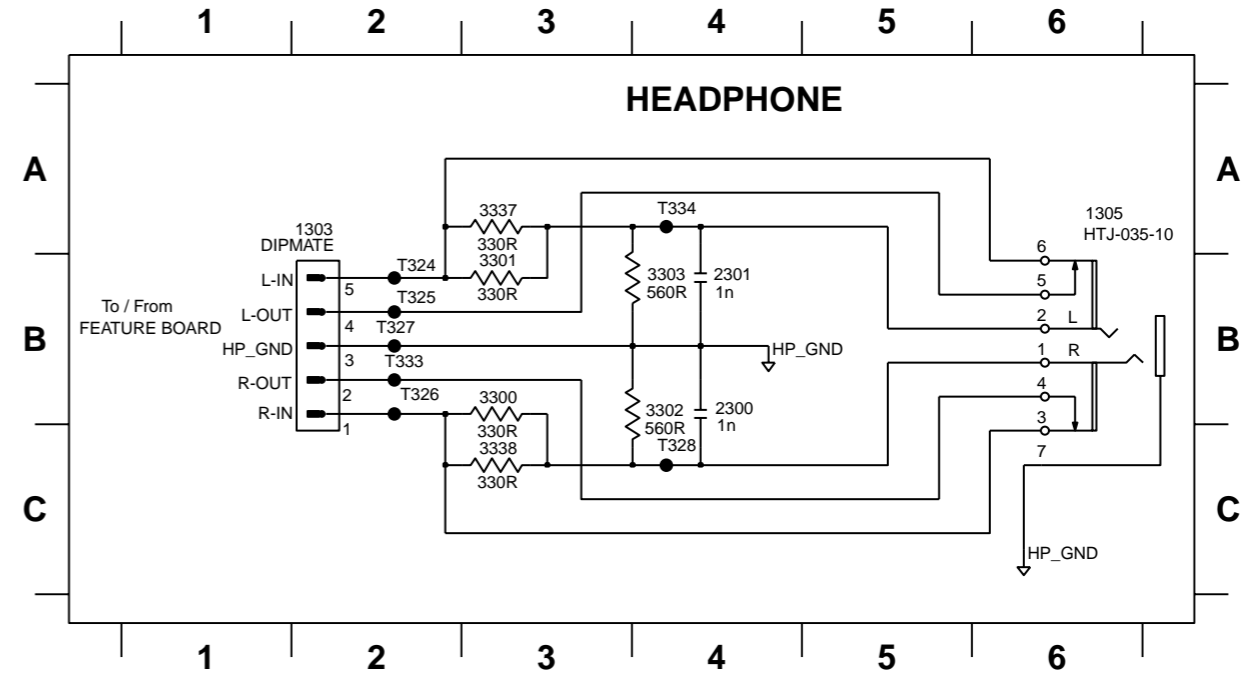
LAYOUT DIAGRAM - FM ANT BOARD

0250 B2 1251 B2
1250 B3



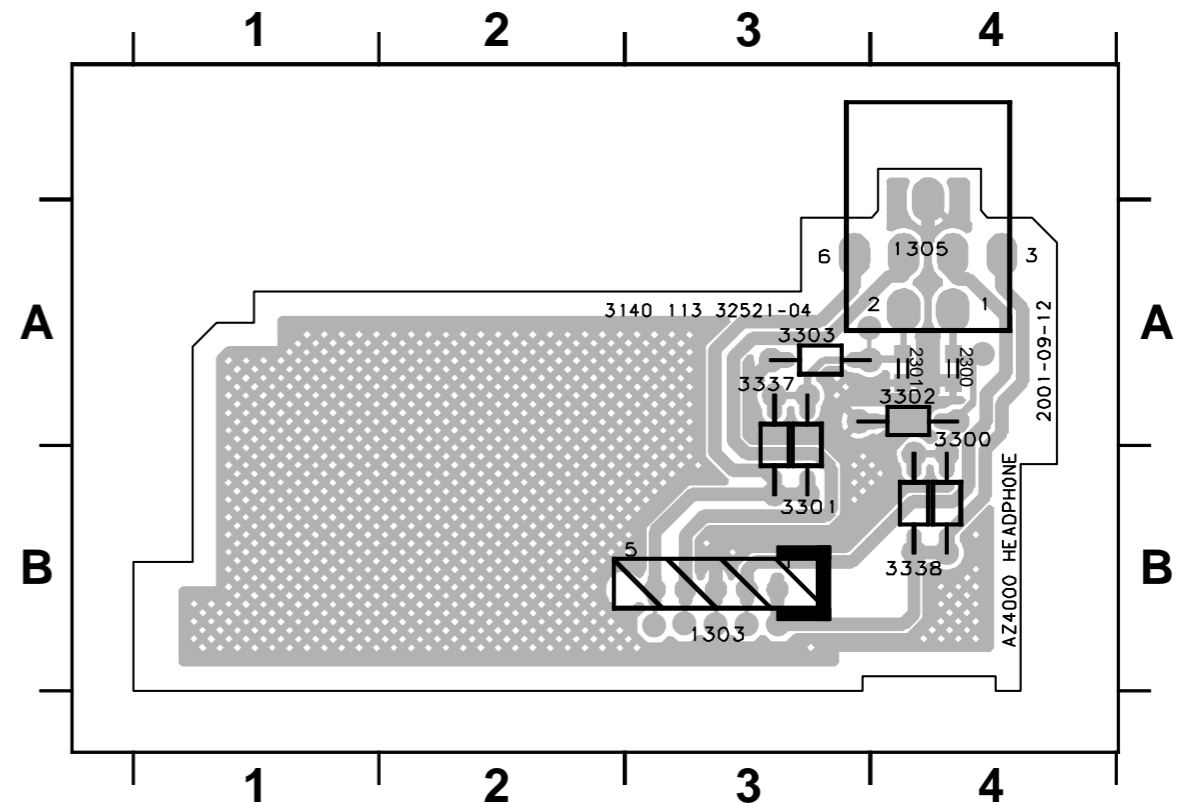
CIRCUIT DIAGRAM - HEADPHONE JACK BOARD

1303 A2 2300 B4 3300 B3 3302 B4 3337 A3 T324 B2 T326 B2 T328 C4 T334 A4
1305 A6 2301 B4 3301 B3 3303 B4 3338 C3 T325 B2 T327 B2 T333 B2

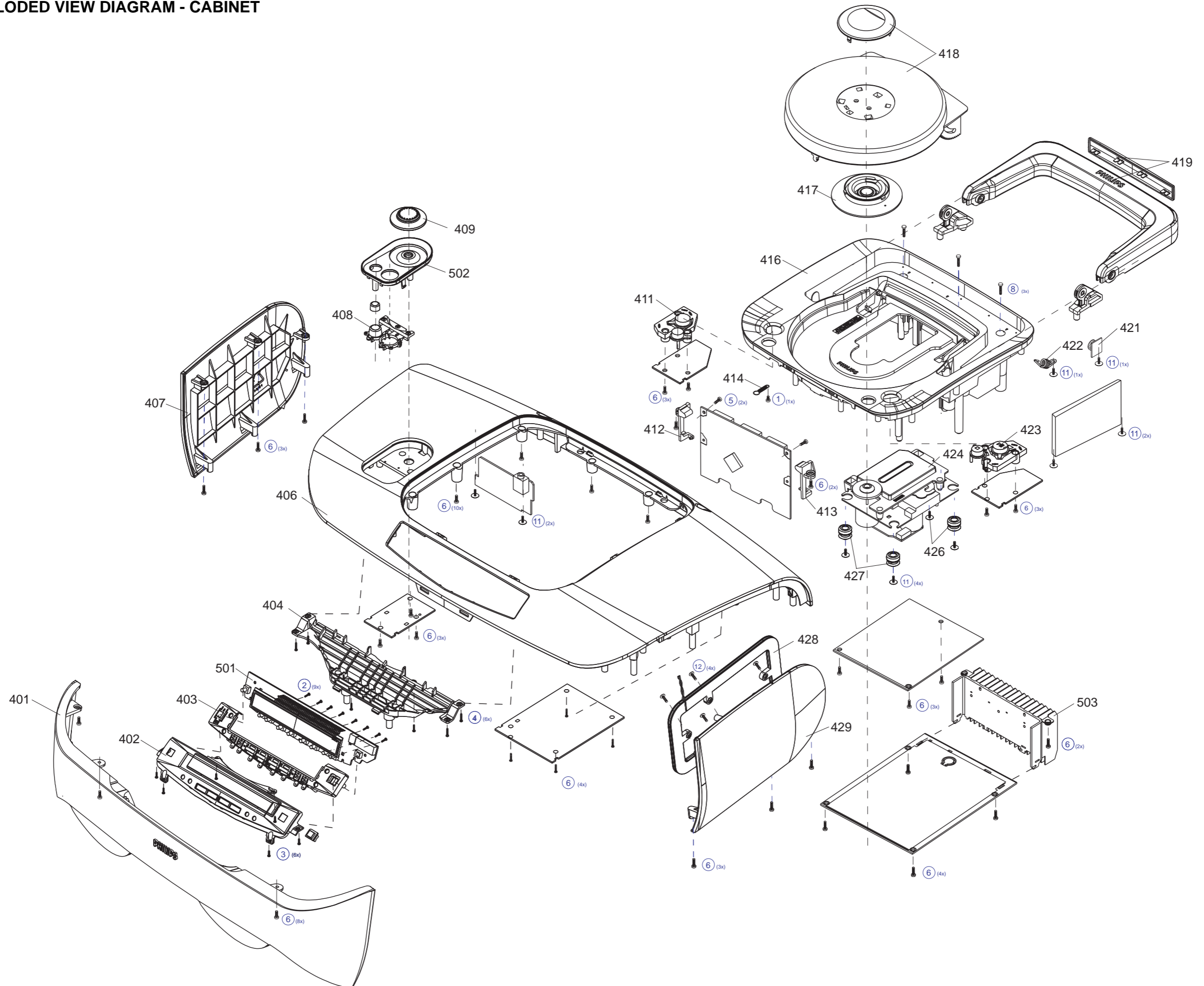


LAYOUT DIAGRAM - HEADPHONE JACK BOARD

1303 B3 2300 A4 3300 A4 3302 A4 3337 A3
1305 A4 2301 A4 3301 B3 3303 B3 3338 B4

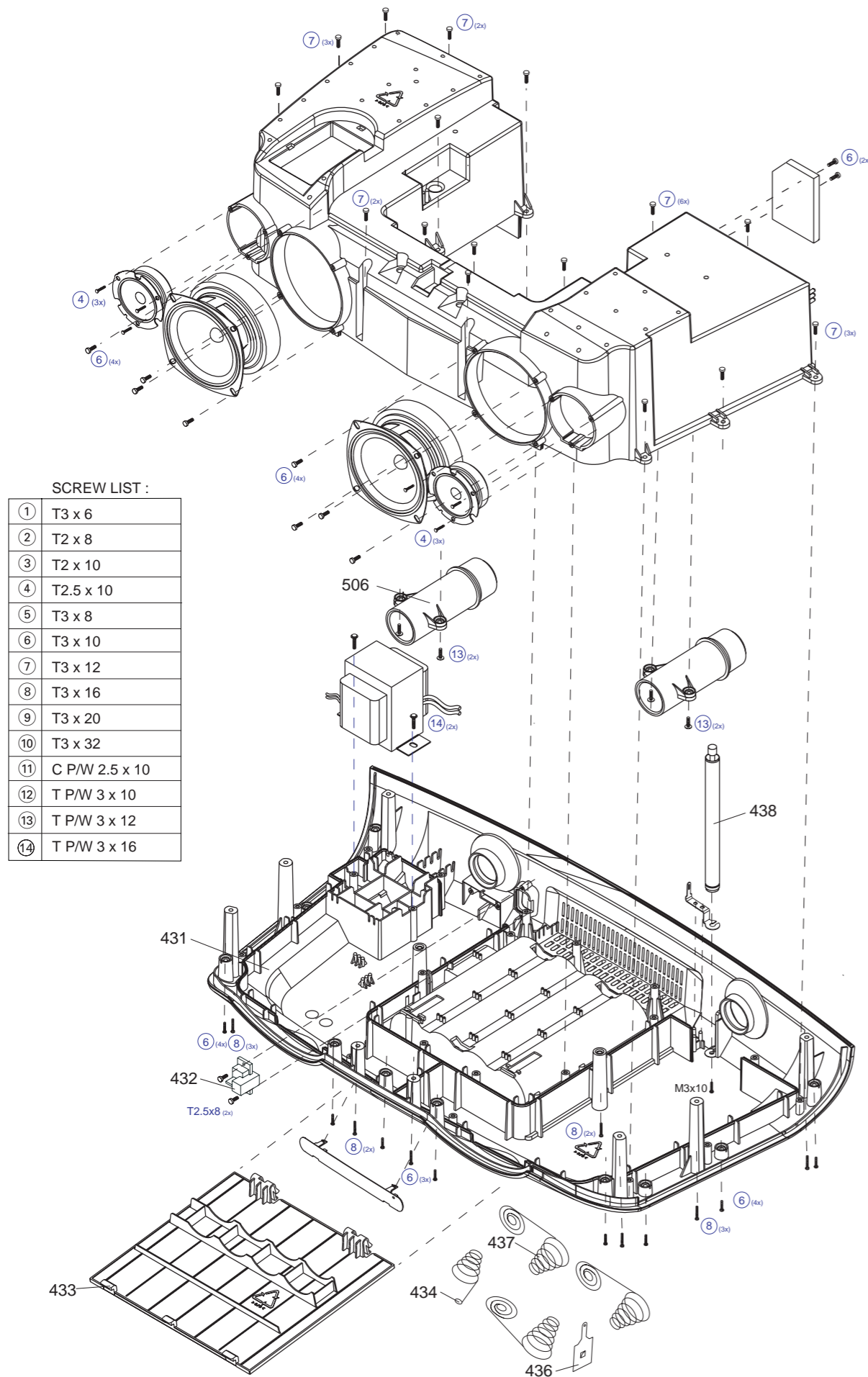


EXPLODED VIEW DIAGRAM - CABINET



EXPLODED VIEW DIAGRAM - CABINET

MECHANICAL PARTSLIST - CABINET



- 401 3140 117 61380 SPK CLOTH ASSY-MIDDLE
- 402 3140 117 61280 FRONT PANEL ASSY /00
- 402 3140 117 61290 FRONT PANEL ASSY /11
- 402 3140 117 61300 FRONT PANEL ASSY /17
- 404 3140 114 37950 BRACKET FRONT PCB

- 406 3140 117 61340 TOP CABINET ASSY/00
- 406 3140 117 61350 TOP CABINET ASSY/11
- 406 3140 117 61360 TOP CABINET ASSY/17
- 407 3140 117 61400 SPK CLOTH ASSY-LEFT
- 408 3140 117 61330 UB-BUTTONSET ASSY

- 409 3140 114 37790 KNOB-VOLUME
- 411 3140 114 37900 BUTTON-POWER
- 412 3140 114 39250 BRACKET-PCB-CPU-L
- 413 3140 114 37970 BRACKET-PCB-CPU-R
- 414 3140 111 01060 CD PULL SPRING

- 416 3140 117 61320 CD TRAY ASSY
- 417 3140 117 59810 CLAMPER-VAM-RING-ASS'Y
- 418 3140 117 61270 SUB-ASSY-CD DOOR
- 419 3140 117 61260 SUB-ASSY-HANDLE
- 421 4822 529 10322 DAMPER ASSY

- 422 3140 111 01050 SPRING - CD
- 423 3140 114 37890 BUTTON-CD
- 424 9305 022 30103 VAM2201/03
- 426 4822 529 10431 DAMPER - RUBBER (25DEG)
- 427 4822 529 10431 DAMPER - RUBBER (25DEG)

- 429 3140 117 61390 SPK CLOTH ASSY-RIGHT
- 431 3140 117 61410 BOTTOM CABINET ASSY
- 432 3140 111 21360 CONTACT PLATE
- 433 3140 114 37920 DOOR-BATTERY
- 434 3140 111 01030 BATTERY SPRING-R20

- 436 3140 111 21890 R20 TERMINAL "-"
- 437 3140 111 01070 BATTERY SPRING - R20 '+/-'
- 438 3140 118 71770 AZ4000 ROD ANTENNA
- 3139 228 60070 REMOTE CONTROL RC19420002/01

ELECTRICAL PARTSLIST - FRONT BOARD

- MISCELLANEOUS -

1305	2422 026 05076	3,5 mm PHONE SOCKET
1421	4822 267 11039	Connector 11P
1422	4822 265 11184	Connector 18P
1423	4822 265 11208	Connector 10P
1424	4822 267 10732	Connector 12P

- CAPACITORS -

2469	4822 122 33761	22pF 5% NP0 50V
2470	4822 122 31765	100pF 2% NP0 63V
2471	4822 122 33777	47pF 5% NP0 63V
2472	4822 122 33777	47pF 5% NP0 63V
2473	4822 122 33777	47pF 5% NP0 63V
2474	4822 122 31765	100pF 2% NP0 63V
2475	4822 122 31765	100pF 2% NP0 63V

- CAPACITORS -

2300	5322 126 11578	1nF 10% X7R 50V
2301	5322 126 11578	1nF 10% X7R 50V
2421	4822 126 14305	100nF 10% X7R 16V
2422	2222 867 15339	33pF 5% NP0 50V
2423	4822 122 33761	22pF 5% NP0 50V
2424	4822 126 14241	330pF 5% NPO 50V
2425	4822 126 14249	560pF 10% X7R 50V
2426	4822 124 22652	2,2µF 20% 50V
2428	4822 126 14305	100nF 10% X7R 16V
2431	4822 122 31765	100pF 2% NP0 63V
2432	4822 122 31765	100pF 2% NP0 63V
2433	4822 122 33777	47pF 5% NP0 63V
2434	5322 126 11583	10nF 10% X7R 50V
2436	4822 126 13881	470pF 5% 50V
2437	4822 126 13881	470pF 5% 50V
2438	5322 126 11583	10nF 10% X7R 50V
2439	4822 126 13193	4,7nF 10% X7R 63V
2440	4822 122 31765	100pF 2% NP0 63V
2441	4822 122 31765	100pF 2% NP0 63V
2442	4822 122 31765	100pF 2% NP0 63V
2443	4822 122 31765	100pF 2% NP0 63V
2444	5322 126 11583	10nF 10% X7R 50V
2445	4822 126 13883	220pF 5% 50V
2446	4822 122 31765	100pF 2% NP0 63V
2447	4822 124 22651	1µF 20% 50V
2448	4822 122 33752	15pF 5% NP0 50V
2449	4822 126 14305	100nF 10% X7R 16V
2450	4822 126 13881	470pF 5% 50V
2451	4822 126 14305	100nF 10% X7R 16V
2452	5322 126 11583	10nF 10% X7R 50V
2453	5322 126 11583	10nF 10% X7R 50V
2454	4822 122 31765	100pF 2% NP0 63V
2455	4822 124 80231	47µF 20% 16V
2457	4822 126 14494	22nF 10% X7R 25V
2458	4822 122 33752	15pF 5% NP0 50V
2459	4822 126 14494	22nF 10% X7R 25V
2460	3198 016 31020	1nF 5% NP0 25V
2463	5322 126 11583	10nF 10% X7R 50V
2466	4822 122 33777	47pF 5% NP0 63V
2468	4822 122 33761	22pF 5% NP0 50V

- RESISTORS -

3300	4822 116 52219	330R 5% 0,5W
3301	4822 116 52219	330R 5% 0,5W
3302	4822 116 52226	560R 5% 0,5W
3303	4822 116 52226	560R 5% 0,5W
3337	4822 116 52219	330R 5% 0,5W
3338	4822 116 52219	330R 5% 0,5W
3397	4822 051 30103	10K 5% 0,062W
3398	4822 051 30332	3,3K 5% 0,062W
3399	4822 051 30103	10K 5% 0,062W
3413	4822 051 30102	1K 5% 0,062W
3414	4822 051 30102	1K 5% 0,062W
3421	4822 051 30102	1K 5% 0,062W
3422	4822 051 30102	1K 5% 0,062W
3424	4822 051 30101	100R 5% 0,062W
3425	4822 051 30222	2,2K 5% 0,062W
3426	4822 117 12891	220K 1% ERJ3E
3433	4822 051 30221	220R 5% 0,062W
3434	4822 051 30153	15K 5% 0,062W
3435	4822 051 30153	15K 5% 0,062W
3436	4822 051 30103	10K 5% 0,062W
3437	4822 051 30474	470K 5% 0,062W
3438	4822 116 52289	5,6K 5% 0,5W
3439	4822 116 52186	22R 5% 0,5W
3442	4822 051 30103	10K 5% 0,062W
3443	4822 116 83883	470R 5% 0,5W
3444	4822 051 30102	1K 5% 0,062W
3445	4822 051 30102	1K 5% 0,062W
3446	4822 051 30102	1K 5% 0,062W
3447	4822 051 30684	680K 5% 0,062W
3448	4822 116 83882	39K 5% 0,5W
3449	4822 051 30273	27K 5% 0,062W
3450	4822 051 30223	22K 5% 0,062W
3451	4822 051 30471	470R 5% 0,062W
3452	4822 051 30102	1K 5% 0,062W
3453	4822 051 30102	1K 5% 0,062W
3454	4822 051 30471	470R 5% 0,062W
3455	4822 051 30102	1K 5% 0,062W
3456	4822 051 30102	1K 5% 0,062W
3458	4822 051 30683	68K 5% 0,062W
3459	4822 051 30102	1K 5% 0,062W

ELECTRICAL PARTSLIST - FRONT BOARD**- RESISTORS -**

3460	4822 051 30102	1K 5% 0,062W
3461	4822 051 30103	10K 5% 0,062W
3462	4822 051 30102	1K 5% 0,062W
3463	4822 051 30102	1K 5% 0,062W
3464	4822 051 30152	1,5K 5% 0,062W
3465	4822 051 30102	1K 5% 0,062W
3466	4822 051 30471	470R 5% 0,062W
3468	4822 051 30471	470R 5% 0,062W
3469	4822 051 30102	1K 5% 0,062W
3470	4822 116 83883	470R 5% 0,5W
3471	4822 116 83883	470R 5% 0,5W
3472	4822 116 83883	470R 5% 0,5W
3473	4822 051 30102	1K 5% 0,062W
3474	4822 051 30472	4,7K 5% 0,062W
3475	4822 051 30103	10K 5% 0,062W
3477	4822 050 11002	1K 1% 0,4W
3478	4822 050 11002	1K 1% 0,4W
3479	4822 051 30272	2,7K 5% 0,062W
3480	4822 051 30272	2,7K 5% 0,062W
3481	4822 051 30471	470R 5% 0,062W
3482	4822 051 30471	470R 5% 0,062W
3484	4822 051 30272	2,7K 5% 0,062W
3485	4822 051 30471	470R 5% 0,062W
3486	4822 051 30471	470R 5% 0,062W
3487	4822 051 30333	33K 5% 0,062W
3489	4822 051 30102	1K 5% 0,062W
3490	4822 051 30102	1K 5% 0,062W
3491	4822 051 30102	1K 5% 0,062W
3492	4822 051 30102	1K 5% 0,062W
3493	4822 051 30102	1K 5% 0,062W
3494	4822 051 30562	5,6K 5% 0,063W
3496	4822 051 30152	1,5K 5% 0,062W
3497	4822 051 30152	1,5K 5% 0,062W
3498	4822 051 30152	1,5K 5% 0,062W
3499	4822 051 30103	10K 5% 0,062W
3900	4822 051 30331	330R 5% 0,062W
3901	4822 051 30331	330R 5% 0,062W
3902	4822 051 30102	1K 5% 0,062W
3908	4822 051 30102	1K 5% 0,062W
3910	4822 051 30103	10K 5% 0,062W
3911	4822 051 30103	10K 5% 0,062W
3915	4822 051 30221	220R 5% 0,062W
3928	4822 051 30103	10K 5% 0,062W
3929	4822 051 30472	4,7K 5% 0,062W
3930	4822 051 30472	4,7K 5% 0,062W
3932	4822 051 30102	1K 5% 0,062W
3934	4822 051 30103	10K 5% 0,062W
3935	4822 051 30471	470R 5% 0,062W
3936	4822 051 30152	1,5K 5% 0,062W
3937	4822 051 30103	10K 5% 0,062W

- RESISTORS -

3941	4822 051 30471	470R 5% 0,062W
3942	4822 051 30471	470R 5% 0,062W
3943	4822 051 30102	1K 5% 0,062W
3944	4822 050 11002	1K 1% 0,4W
3945	4822 050 11002	1K 1% 0,4W
3947	4822 051 30103	10K 5% 0,062W
3950	4822 051 30153	15K 5% 0,062W
3951	4822 117 13632	100K 1% 0,62W
3952	4822 116 83883	470R 5% 0,5W
3956	4822 051 30102	1K 5% 0,062W
3957	4822 051 30471	470R 5% 0,062W
3958	4822 051 30102	1K 5% 0,062W
3959	4822 051 30471	470R 5% 0,062W
3962	4822 051 30102	1K 5% 0,062W
3964	4822 051 30471	470R 5% 0,062W
3965	4822 116 52182	15R 5% 0,5W
3966	4822 116 52176	10R 5% 0,5W
4421	4822 051 30008	OR JUMPER 0603
4425	4822 051 30008	OR JUMPER 0603
4426	4822 051 30008	OR JUMPER 0603
4429	4822 051 30008	OR JUMPER 0603
4430	4822 051 30008	OR JUMPER 0603
4436	4822 051 30008	OR JUMPER 0603
4437	4822 051 30008	OR JUMPER 0603
4440	4822 051 30008	OR JUMPER 0603
4441	4822 051 30008	OR JUMPER 0603
4442	4822 051 30008	OR JUMPER 0603
4443	4822 051 30008	OR JUMPER 0603
4447	4822 051 30008	OR JUMPER 0603
4449	4822 051 30008	OR JUMPER 0603
4455	4822 051 30008	OR JUMPER 0603
4456	4822 051 30008	OR JUMPER 0603
4457	4822 051 30008	OR JUMPER 0603
4458	4822 051 30008	OR JUMPER 0603
9431	4822 050 11002	1K 1% 0,4W
9437	4822 050 11002	1K 1% 0,4W
9442	4822 050 11002	1K 1% 0,4W

- COILS & FILTERS -

5304	2422 549 44919	IND FXD 600R 100MHz
5422	2422 540 98518	RES CER 8MHZ
5423	2422 549 44393	IND FXD 2,7K 100MHz
5424	4822 157 62552	2,2µH
5425	2422 535 94311	IND FXD 220µH 5%

ELECTRICAL PARTSLIST - FRONT BOARD**- COILS & FILTERS -**

5426	4822 242 11033	CRYSTAL 4,332MHz
5427	2422 549 44393	IND FXD 2,7K 100MHz
5428	2422 549 44393	IND FXD 2,7K 100MHz
5429	2422 549 44393	IND FXD 2,7K 100MHz
5430	2422 549 44393	IND FXD 2,7K 100MHz
5431	2422 549 44393	IND FXD 2,7K 100MHz
5432	2422 549 44393	IND FXD 2,7K 100MHz
5433	2422 549 44393	IND FXD 2,7K 100MHz
5434	2422 549 44393	IND FXD 2,7K 100MHz
5435	2422 549 44393	IND FXD 2,7K 100MHz
5436	2422 549 44607	IND FXD 600R 100MHz
5437	2422 549 44607	IND FXD 600R 100MHz
5438	2422 549 44607	IND FXD 600R 100MHz

- DIODES -

6424	5322 130 34337	BAV99
6425	4822 130 30621	1N4148
6426	4822 130 30621	1N4148
6427	4822 130 30621	1N4148
6428	5322 130 31504	BZX79-B3V3
6429	4822 130 34197	BZX79-B12

- IC & TRANSISTORS -

7421	4822 209 31981	SAA6579T
7423	9965 000 04931	M24C01-WMN6
7424	4822 130 60511	BC847B
7426	4822 130 40959	BC547B
7431	4822 130 60511	BC847B
7434	4822 130 60511	BC847B

Note: Only these parts mentioned in the list are normal service parts.

ELECTRICAL PARTSLIST - LCD BOARD**- MISCELLANEOUS -**

2	3140 118 50990	BACKLIGHT ASSY BLUE
1400	4822 265 11208	CONNECTOR 10P
1401	2422 129 16349	ROT ENCODER 24P
1402	2422 128 02922	SWITCH-TACT 1P
1403	2422 128 02922	SWITCH-TACT 1P
1405	2422 128 02922	SWITCH-TACT 1P
1406	2422 128 02922	SWITCH-TACT 1P
1408	2422 128 02922	SWITCH-TACT 1P
1409	2422 128 02922	SWITCH-TACT 1P
1410	2422 128 02922	SWITCH-TACT 1P
1411	2422 128 02922	SWITCH-TACT 1P
1412	2422 128 02922	SWITCH-TACT 1P
1413	2422 128 02922	SWITCH-TACT 1P
1414	2422 128 02922	SWITCH-TACT 1P
1415	2422 128 02922	SWITCH-TACT 1P
1416	2422 128 02922	SWITCH-TACT 1P
1417	2422 128 02922	SWITCH-TACT 1P
1427	2422 025 14541	CONNECTOR 11P
1428	2422 128 02922	SWITCH-TACT 1P
5406	2422 535 94311	IND FXD 220µH 5%

- CAPACITORS -

2400	4822 122 31765	100pF 2% NP0 63V
2401	4822 122 31765	100pF 2% NP0 63V
2406	4822 126 14305	100nF 10% X7R 16V
2407	4822 124 12032	4,7µF 20% 50V
2408	3198 016 31020	1nF 5% NP0 25V
2409	5322 126 11583	10nF 10% X7R 50V
2410	5322 126 11583	10nF 10% X7R 50V

- RESISTORS -

3400	4822 117 11817	1,2K 1% 0,062W
3401	4822 117 12903	1,8K 1% 0,063W
3402	4822 051 30223	22K 5% 0,062W
3403	4822 051 30223	22K 5% 0,062W
3404	4822 050 11002	1K 1% 0,4W
3405	4822 051 30102	1K 5% 0,062W
3406	4822 051 30101	100R 5% 0,062W
3407	4822 051 30123	12K 5% 0,062W
3408	4822 051 30682	6,8K 5% 0,062W
3409	4822 117 11817	1,2K 1% 0,062W
3410	4822 117 12903	1,8K 1% 0,063W
3411	4822 051 30222	2,2K 5% 0,062W
3412	4822 051 30472	4,7K 5% 0,062W
3415	4822 117 11817	1,2K 1% 0,062W
3416	4822 051 30472	4,7K 5% 0,062W

- RESISTORS -

3417	4822 051 30103	10K 5% 0,062W
3418	4822 116 52175	100R 5% 0,5W
3419	4822 051 30103	10K 5% 0,062W
3420	4822 117 13632	100K 1% 0,062W
3917	4822 116 52176	10R 5% 0,5W
3919	4822 051 30102	1K 5% 0,062W
3920	4822 051 30102	1K 5% 0,062W
3921	4822 051 30102	1K 5% 0,062W
3922	4822 051 30102	1K 5% 0,062W
3923	4822 051 30102	1K 5% 0,062W
3924	4822 051 30102	1K 5% 0,062W
3925	4822 051 30102	1K 5% 0,062W
3953	4822 117 13632	100K 1% 0,062W
3954	4822 051 30183	18K 5% 0,062W
3955	4822 051 30103	10K 5% 0,062W
3960	4822 117 12903	1,8K 1% 0,063W
3961	4822 051 30222	2,2K 5% 0,062W
4400	4822 051 30008	0R JUMPER 0603
4401	4822 051 30008	0R JUMPER 0603
4402	4822 051 30008	0R JUMPER 0603
4403	4822 051 30008	0R JUMPER 0603
4406	4822 051 30008	0R JUMPER 0603
4407	4822 051 30008	0R JUMPER 0603
4410	4822 051 30008	0R JUMPER 0603
4411	4822 051 30008	0R JUMPER 0603

- DIODES, TRANSISTORS & ICS -

6401	4822 130 10418	LTL16KGE
7406	5322 209 11129	PCF8576T
7407	9322 155 82667	IR RECEIVER TSOP2236
7408	3140 110 51260	LCD PANEL

Note: Only these parts mentioned in the list are normal service parts.

ELECTRICAL PARTSLIST - TUNER BOARD

- MISCELLANEOUS -

1121	4822 267 10733	Connector 4P
1122	4822 267 10954	Connector 5P

- CAPACITORS -

2101	4822 126 13692	47pF 1% NP0 63V
2103	5322 122 31647	1nF 10% X7R 63V
2104	5322 122 32531	100pF 5% NP0 50V
2106	2020 800 00204	CTRM 4P-20P N750 (/00)
2106	2020 800 00191	CTRM 3P-11P N450 (/11, /17)
2107	4822 121 51319	1µF 10% 63V
2108	5322 122 32531	100pF 5% NP0 50V
2109	5322 122 32448	10pF 5% NP0 63V
2120	5322 122 32658	22pF 5% 50V (/00)
2120	4822 126 14507	18PF 5% 50V (/11,/17)
2122	4822 122 33891	3,3nF 10% X7R 63V
2123	2238 861 18391	390pF 1% NP0 50V
2124	4822 126 14494	22nF 10% X7R 25V (/11, /17)
2125	2238 861 18561	560pF 1% NP0 50V
2126	5322 122 31863	330pF 5% NP0 63V
2127	4822 126 14076	220nF 80/20% 25V
2128	4822 124 40248	10µF 20% 63V
2129	4822 124 41584	100µF 20% 10V
2130	4822 126 13482	470nF 80/20% 16V
2131	4822 126 13482	470nF 80/20% 16V
2132	4822 126 13482	470nF 80/20% 16V
2133	4822 124 21913	1µF 20% 63V
2134	4822 126 13188	15nF 5% X7R 63V
2134	4822 126 14494	22nF 5% X7R 63V (/17)
2135	4822 126 13188	15nF 5% X7R 63V
2135	4822 126 14494	22nF 5% X7R 63V (/17)
2136	4822 126 14076	220nF 80/20% 25V
2137	4822 126 14076	220nF 80/20% 25V
2138	4822 124 22652	2,2µF 20% 50V
2139	4822 126 14236	15pF 5% 50V
2140	4822 126 13695	82pF 1% NP0 63V
2141	4822 126 13838	100nF 80/20% Y5V 50V
2144	4822 126 13482	470nF 80/20% 16V
2145	4822 122 33575	220pF 5% NP0 63V
2146	4822 122 33575	220pF 5% NP0 63V
2147	4822 122 33575	220pF 5% NP0 63V
2148	4822 122 33127	2,2nF 10% X7R 63V
2149	5322 122 32659	33pF 5% 50V
2150	4822 126 13838	100nF 80/20% Y5V 50V
2152	4822 126 12105	33nF 5% X7R 50V
2153	4822 126 13486	15pF 2% NP0 63V
2155	2020 800 00191	CTRM 100V 3P-11P N450
2159	5322 122 32659	33pF 5% 50V
2163	4822 126 13838	100nF 80/20% Y5V 50V
2164	4822 126 13482	470nF 80/20% 16V

- CAPACITORS -

2165	4822 126 13838	100nF 80/20% Y5V 50V
2166	5322 122 31647	1nF 10% X7R 63V
2167	4822 122 33926	12pF 1% 50V
2169	4822 122 33127	2,2nF 10% X7R 63V
2186	4822 124 40196	220µF 20% 16V
2187	4822 122 33177	10nF 20% X7R 50V
2188	4822 122 33177	10nF 20% X7R 50V
2189	4822 126 14076	220nF 80/20% 25V
2190	4822 124 81151	22µF 20% 50V
2191	4822 124 81151	22µF 20% 50V
2192	5322 122 31647	1nF 10% X7R 63V
2193	5322 122 31647	1nF 10% X7R 63V
2194	5322 122 31647	1nF 10% X7R 63V
2195	4822 124 81151	22µF 20% 50V
2196	4822 122 33177	10nF 20% X7R 50V
2197	4822 122 33177	10nF 20% X7R 50V

- RESISTORS -

3101	4822 051 20333	33K 5% 0,1W
3102	4822 117 10837	100K 1% 0.1W
3103	4822 051 20822	8,2K 5% 0,1W
3104	4822 117 13577	330R 1% 1,25W
3105	4822 117 11503	220R 1% 0.1W
3108	4822 117 11449	2,2K 5% 0,1W
3109	4822 117 11449	2,2K 5% 0,1W
3123	4822 051 20472	4,7K 5% 0,1W
3125	4822 117 10833	10K 1% 0,1W
3128	4822 117 11449	2,2K 5% 0,1W
3132	4822 051 20479	47R 5% 0,1W
3134	4822 051 20223	22K 5% 0,1W
3137	4822 116 83933	15K 1% 0,1W
3141	4822 117 11148	56K 1% 0,1W
3142	4822 100 12159	100K 30%
3143	4822 051 20223	22K 5% 0,1W
3144	4822 051 10102	1K 2% 0,25W
3145	4822 117 11449	2,2K 5% 0,1W
3152	4822 051 20471	470R 5% 0,1W
3153	4822 051 20471	470R 5% 0,1W
3155	4822 051 20479	47R 5% 0,1W
3156	4822 117 13632	100K 1% 0,1W
3158	4822 051 20471	470R 5% 0,1W
3159	4822 051 20471	470R 5% 0,1W
3160	4822 051 20471	470R 5% 0,1W
3161	4822 051 20223	22K 5% 0,1W
3166	4822 051 20479	47R 5% 0,1W
3167	4822 051 20479	47R 5% 0,1W
3169	4822 051 20154	150K 5% 0,1W
3170	4822 117 13632	100K 1% 0,1W

ELECTRICAL PARTSLIST - TUNER BOARD**- RESISTORS -**

3176	4822 051 20333	33K 5% 0,1W
3180	4822 117 10833	10K 1% 0,1W
3186	4822 117 11448	180R 1% 0,1W
3187	4822 051 10102	1K 2% 0,25W
3188	4822 117 11449	2,2K 5% 0,1W
3189	4822 051 20223	22K 5% 0,1W
3190	4822 117 10833	10K 1% 0,1W
3191	4822 051 30472	4,7K 5% 0,1W
3192	4822 051 30105	1M 5% 0,1W
3193	4822 051 30222	2,2K 5% 0,1W
3194	4822 117 13632	100K 1% 0,1W
3195	4822 051 30474	470K 5% 0,1W
3196	4822 117 10833	10K 1% 0,1W
4101	4822 051 30008	0R JUMP. (0603)
4102	4822 051 20334	330K 5% 0,1W (/00)
4102	4822 051 30008	0R JUMP. (0603) (/11, /17)
4104	4822 051 30008	0R JUMP. (0603)
4105	4822 051 20008	0R JUMP. (0805)
4107	4822 051 20008	0R JUMP. (0805)
4108	4822 051 20008	0R JUMP. (0805)
4110	4822 051 20008	0R JUMP. (0805)

- TRANSISTORS & IC -

7101	4822 209 90924	TEA5757H/V1
7102	4822 130 42131	BF550
7103	5322 130 42756	BC857C
7104	4822 130 40855	BC337
7105	4822 130 40855	BC337
7109	4822 130 60373	BC856B
7111	5322 130 42755	BC847C
7122	5322 130 42755	BC847C
7124	5322 130 42755	BC847C
7180	4822 130 60373	BC856B
7181	5322 130 42755	BC847C
7182	5322 130 42755	BC847C
7183	5322 130 42755	BC847C

Note: Only these parts mentioned in the list are normal service parts.

- COILS & FILTERS -

5102	4822 157 71634	MW ANT COIL
5103	2422 549 44107	LW ANT COIL
5109	4822 242 70665	SFE10,7MS3-A
5110	4822 242 70665	SFE10,7MS3-A
5111	2422 549 44023	AM IFT 450KHZ
5112	4822 157 70302	AM IFT 450KHZ
5114	4822 157 70302	AM IFT 450KHZ
5119	4822 157 11443	FM DISCRIMINATOR
5121	4822 242 10261	CRYSTAL 75KHZ
5122	2422 549 44108	MW OSC COIL
5123	2422 549 44108	LW OSC COIL
5130	4822 157 11843	COIL MD7B-01F
5131	4822 157 11843	COIL MD7B-01F

- DIODES -

6103	5322 130 34337	BAV99
6105	4822 130 83075	HN1V02H-B
6120	4822 130 83757	BAS216
6130	4822 130 82833	1SV228
6131	4822 130 82833	1SV228
6181	5322 130 34337	BAV99
6182	4822 130 83757	BAS216
6183	9340 386 90115	BZX284-C11

ELECTRICAL PARTSLIST - CD99/MP3 BOARD

- MISCELLANEOUS -

1011	3140 118 82770	PBAS MP3 DECODER
1800	4822 265 10925	FFC CONNECTOR 15P
1823	4822 265 11207	FFC CONNECTOR 6P
1824	4822 267 51453	FFC CONNECTOR 12P
8800	4822 320 12178	FFC CABLE 15P 65MM BD

8802	8240 005 53670	FFC CABLE 19P 80MM BD
------	----------------	-----------------------

- CAPACITORS -

2813	2238 786 11554	2,2nF 5% NP0 16V
2814	5322 126 11583	10nF 10% X7R 50V
2815	4822 126 14225	56pF 5% NP0 50V
2816	3198 024 44730	47nF Y5V 50V
2817	4822 124 40769	4,7µF 20% 100V

2818	3198 024 44730	47nF Y5V 50V
2819	2222 867 15339	33pF 5% NP0 50V
2820	2222 867 15339	33pF 5% NP0 50V
2821	4822 126 14585	100nF 10% X7R 50V
2822	4822 126 14247	1,5nF X7R 50V

2823	4822 124 42383	220µF 20% 4V
2824	3198 017 44740	470nF Y5V 10V
2825	4822 126 13344	1,5nF 5% 63V
2826	3198 024 44730	47nF Y5V 50V
2827	5322 126 11578	1nF 10% X7R 50V

2828	4822 126 13691	27pF 1% NP0 63V
2829	3198 024 44730	47nF Y5V 50V
2830	4822 126 14043	1µF +80-20% Y5V 16V
2831	4822 124 81286	47µF 20% 16V
2832	4822 126 14506	270pF 5% 50V NP0

2833	4822 126 14238	2,2nF X7R 50V
2834	4822 126 14506	270pF 5% 50V NP0
2835	4822 126 14247	1,5nF X7R 50V
2836	4822 124 41751	47µF 20% 50V
2837	3198 024 44730	47nF Y5V 50V

2838	4822 126 14494	22nF 10% X7R 25V
2839	4822 126 14585	100nF 10% X7R 50V
2840	4822 124 81286	47µF 20% 16V
2841	4822 124 40769	4,7µF 20% 100V
2843	4822 122 31765	100pF 2% NP0 63V

2844	4822 126 13883	220pF 5% 50V
2845	4822 126 13883	220pF 5% 50V
2846	4822 124 22833	10µF 20% 50V
2848	4822 122 31765	100pF 2% NP0 63V
2849	4822 126 13883	220pF 5% 50V

2850	4822 126 13883	220pF 5% 50V
2851	4822 124 22833	10µF 20% 50V
2853	5322 126 11583	10nF 10% X7R 50V
2854	4822 124 11912	220µF 20% 6,3V
2855	4822 124 11912	220µF 20% 6,3V

- CAPACITORS -

2857	4822 124 41751	47µF 20% 50V
2860	4822 126 14508	180pF 5% 50V NP0
2861	4822 126 14241	330PF NP0 50V
2863	4822 126 13881	470pF 5% 50V
2864	4822 126 14508	180pF 5% 50V NP0

2865	4822 126 14508	180pF 5% 50V NP0
2869	4822 126 13751	47nF 10% X7R 63V
2870	4822 126 13883	220pF 5% 50V
2871	4822 126 13883	220pF 5% 50V
2872	4822 126 13883	220pF 5% 50V

2873	4822 126 13883	220pF 5% 50V
2874	4822 126 13883	220pF 5% 50V
2875	4822 126 13883	220pF 5% 50V
2876	3198 017 41050	1µF Y5V 10V
2900	4822 124 40769	4,7µF 20% 100V

2901	4822 124 40248	10µF 20% 63V
2903	4822 126 13879	220nF +80-20% 16V
2904	5322 126 10223	4,7nF 10% X7R 63V
2905	4822 124 40769	4,7µF 20% 100V

- RESISTORS -

3745	4822 051 30109	10R 5% 0,062W
3764	4822 051 20159	15R 5% 0,1W
3780	4822 051 30472	4,7K 5% 0,062W
3781	4822 051 20472	4,7K 5% 0,1W
3782	4822 051 30272	2,7K 5% 0,062W

3794	4822 051 20223	22K 5% 0,1W
3795	4822 051 30223	22K 5% 0,062W
3810	4822 051 30102	1K 5% 0,062W
3811	4822 051 30102	1K 5% 0,062W
3824	4822 051 30102	1K 5% 0,062W

3825	4822 051 30223	22K 5% 0,062W
3826	4822 051 30273	27K 5% 0,062W
3827	4822 051 30101	100R 5% 0,062W
3828	4822 051 20121	120R 5% 0,1W
3829	4822 051 30121	120R 5% 0,062W

3830	4822 051 20472	4,7K 5% 0,1W
3831	4822 051 30471	470R 5% 0,062W
3832	4822 051 30471	470R 5% 0,062W
3834	4822 051 30103	10K 5% 0,062W
3837	4822 051 20471	470R 5% 0,1W

3838	4822 051 30471	470R 5% 0,062W
3839	4822 051 30471	470R 5% 0,062W
3840	4822 051 30471	470R 5% 0,062W
3841	4822 051 30472	4,7K 5% 0,062W
3842	4822 051 30102	1K 5% 0,062W

ELECTRICAL PARTSLIST - CD99/MP3 BOARD**- RESISTORS -**

3843	4822 051 30102	1K 5% 0,062W
3844	4822 051 30101	100R 5% 0,062W
3846	4822 051 20223	22K 5% 0,1W
3847	4822 117 12925	47K 1% 0,063W
3848	4822 116 83933	15K 1% 0,1W
3850	4822 051 30682	6,8K 5% 0,062W
3851	4822 117 10834	47K 1% 0,1W
3852	4822 051 20333	33K 5% 0,1W
3854	4822 051 30472	4,7K 5% 0,062W
3856	4822 051 30683	68K 5% 0,062W
3857	4822 117 13632	100K 1% 0,62W
3858	4822 051 30392	3,9K 5% 0,063W
3859	4822 117 12925	47K 1% 0,063W
3861	4822 051 30683	68K 5% 0,062W
3863	4822 052 10338	3,3R 5% 0,33W
3864	4822 051 20159	15R 5% 0,1W
3865	4822 051 30471	470R 5% 0,062W
3867	4822 051 30223	22K 5% 0,062W
3868	4822 051 30103	10K 5% 0,062W
3869	4822 051 30103	10K 5% 0,062W
3871	4822 051 30471	470R 5% 0,062W
3872	4822 117 12925	47K 1% 0,063W
3873	4822 051 30223	22K 5% 0,062W
3874	4822 051 30223	22K 5% 0,062W
3875	4822 051 30103	10K 5% 0,062W
3876	4822 051 30103	10K 5% 0,062W
3879	4822 117 12925	47K 1% 0,063W
3880	4822 051 30339	33R 5% 0,062W
3881	4822 051 30151	150R 5% 0,062W
3882	4822 117 11373	100R 1% 0805
3883	4822 051 30102	1K 5% 0,062W
3884	4822 051 30102	1K 5% 0,062W
3885	4822 051 30103	10K 5% 0,062W
3886	4822 051 30153	15K 5% 0,062W
3891	4822 051 30273	27K 5% 0,062W
3892	4822 117 11148	56K 1% 0,1W
3893	4822 051 30563	56K 5% 0,062W
3894	4822 051 30103	10K 5% 0,062W
3895	4822 051 30103	10K 5% 0,062W
3896	4822 051 30103	10K 5% 0,062W
3897	4822 051 30103	10K 5% 0,062W
3898	4822 051 30103	10K 5% 0,062W
3899	4822 051 30103	10K 5% 0,062W
3900	4822 051 30223	22K 5% 0,062W
3901	4822 051 30103	10K 5% 0,062W
3902	4822 051 30102	1K 5% 0,062W
3903	4822 051 30102	1K 5% 0,062W
3904	4822 051 30471	470R 5% 0,062W
3905	4822 052 10478	4,7R 5% 0,33W
3906	4822 117 11373	100R 1% 0805

- RESISTORS -

3907	4822 117 13608	4,7R 5% 0,0016W
3910	4822 051 30103	10K 5% 0,062W
3915	4822 051 30103	10K 5% 0,062W
3916	4822 051 30471	470R 5% 0,062W
3921	4822 051 30101	100R 5% 0,062W
3927	4822 116 40227	4,6R 25% 12V
3928	4822 051 30103	10K 5% 0,062W
3929	4822 051 30103	10K 5% 0,062W
3930	4822 117 12864	82K 5% 0,6W
3931	4822 051 30103	10K 5% 0,062W
3932	4822 051 30109	10R 5% 0,062W
3933	4822 051 30471	470R 5% 0,062W
3934	4822 051 30471	470R 5% 0,062W
3935	4822 051 30471	470R 5% 0,062W
3936	4822 051 30471	470R 5% 0,062W
3937	4822 051 30101	100R 5% 0,062W
4804	4822 051 30008	0R JUMPER (0603)
4805	4822 051 20008	0R JUMPER (0805)
4806	4822 051 30008	0R JUMPER (0603)
4808	4822 051 30008	0R JUMPER (0603)
4809	4822 051 20008	0R JUMPER (0805)
4810	4822 051 20008	0R JUMPER (0805)
4811	4822 051 20008	0R JUMPER (0805)
4814	4822 051 30008	0R JUMPER (0603)
4818	4822 051 30008	0R JUMPER (0603)
4820	4822 051 30008	0R JUMPER (0603)
4821	4822 051 30008	0R JUMPER (0603)
4823	4822 051 30008	0R JUMPER (0603)
4826	4822 051 20008	0R JUMPER (0805)
4827	4822 051 20008	0R JUMPER (0805)
4830	4822 051 20008	0R JUMPER (0805)
4834	4822 051 30008	0R JUMPER (0603)
4838	4822 051 30008	0R JUMPER (0603)
4839	4822 051 30008	0R JUMPER (0603)
4840	4822 051 20008	0R JUMPER (0805)
4842	4822 051 20008	0R JUMPER (0805)
4845	4822 051 20008	0R JUMPER (0805)
4846	4822 051 30008	0R JUMPER (0603)
4847	4822 051 30008	0R JUMPER (0603)
4848	4822 051 20008	0R JUMPER (0805)
4849	4822 051 30008	0R JUMPER (0603)
4852	4822 051 30008	0R JUMPER (0603)
4853	4822 051 30008	0R JUMPER (0603)
4854	4822 051 30008	0R JUMPER (0603)
4856	4822 051 30008	0R JUMPER (0603)
4857	4822 051 20008	0R JUMPER (0805)

ELECTRICAL PARTSLIST - CD99/MP3 BOARD**- COILS & FILTERS -**

1810	2422 543 01068	CRYSTAL 8,4672MHZ
5803	4822 157 11231	1 μ H 10%
5804	4822 157 11074	100 μ H
5805	4822 157 11074	100 μ H
5806	4822 157 11074	100 μ H
5807	4822 157 11074	100 μ H
5808	4822 157 11074	100 μ H
5809	4822 157 11074	100 μ H

- DIODES -

6877	4822 130 11564	UDZ3,9B
------	----------------	---------

- IC & TRANSISTORS -

7800	9352 684 20557	SAA7325H/T/M2B
7802	9352 622 36118	TZA1025T/V2
7808	4822 209 32852	TDA7073A/N2
7809	4822 209 32852	TDA7073A/N2
7810	4822 209 33165	TDA1308T/N1
7875	4822 130 60511	BC847B
7876	4822 130 60511	BC847B

Note: Only these parts mentioned in the list are normal service parts.

ELECTRICAL PARTSLIST - MP3 DECODER BOARD**- CAPACITORS -**

2900	4822 124 23002	10µF 20% 16V
2901	4822 124 12095	100µF 20% 16V
2903	4822 124 80151	47µF 20% 16V
2905	4822 124 23002	10µF 20% 16V
2906	4822 124 12095	100µF 20% 16V
2908	4822 126 14305	100nF 10% X7R 16V
2910	4822 126 14305	100nF 10% X7R 16V
2911	4822 126 11663	12pF 1% 50V
2912	4822 126 11663	12pF 1% 50V
2913	4822 126 14305	100nF 10% X7R 16V
2914	4822 126 14305	100nF 10% X7R 16V
2915	4822 126 14305	100nF 10% X7R 16V
2916	4822 126 14305	100nF 10% X7R 16V
2917	4822 126 14305	100nF 10% X7R 16V
2918	4822 126 14305	100nF 10% X7R 16V
2919	4822 126 14305	100nF 10% X7R 16V
2920	4822 126 14305	100nF 10% X7R 16V
2921	4822 126 14305	100nF 10% X7R 16V
2922	4822 126 14305	100nF 10% X7R 16V
2923	4822 126 14305	100nF 10% X7R 16V
2924	4822 126 14305	100nF 10% X7R 16V
2925	4822 126 14305	100nF 10% X7R 16V
2934	4822 126 14305	100nF 10% X7R 16V
2935	4822 126 14305	100nF 10% X7R 16V
2936	3198 017 41050	1µF Y5V 10V
2937	3198 017 41050	1µF Y5V 10V
2938	3198 017 41050	1µF Y5V 10V
2941	5322 126 11583	10nF 10% X7R 50V
2942	5322 126 11583	10nF 10% X7R 50V

- RESISTORS -

3900	4822 051 30339	33R 5% 0,062W
3901	4822 051 30339	33R 5% 0,062W
3902	4822 051 30339	33R 5% 0,062W
3903	4822 051 30221	220R 5% 0,062W
3904	4822 051 30221	220R 5% 0,062W
3905	4822 051 30221	220R 5% 0,062W
3906	4822 051 30221	220R 5% 0,062W
3907	4822 051 30221	220R 5% 0,062W
3908	4822 051 30221	220R 5% 0,062W
3909	4822 051 30221	220R 5% 0,062W
3910	4822 051 30221	220R 5% 0,062W
3911	4822 051 30221	220R 5% 0,062W
3913	4822 051 30221	220R 5% 0,062W
3914	4822 051 30221	220R 5% 0,062W
3915	4822 051 30221	220R 5% 0,062W

- RESISTORS -

3916	4822 051 30339	33R 5% 0,062W
3917	4822 051 30102	1K 5% 0,062W
3918	4822 117 13632	100K 1% 0,62W
3920	4822 117 13632	100K 1% 0,62W
3921	4822 117 13632	100K 1% 0,62W
3922	4822 117 13632	100K 1% 0,62W
3923	4822 117 13632	100K 1% 0,62W
3924	4822 051 30102	1K 5% 0,062W
3925	4822 051 30109	10R 5% 0,062W
3926	4822 051 30109	10R 5% 0,062W
3927	4822 051 30109	10R 5% 0,062W
3928	4822 051 30109	10R 5% 0,062W
3929	5322 117 13035	68K 1% 0,063W
3931	4822 117 12971	15R 5% 0,62W
3932	4822 117 12971	15R 5% 0,62W
3933	4822 117 12971	15R 5% 0,62W
3934	4822 117 12971	15R 5% 0,62W
3935	4822 117 12971	15R 5% 0,62W
3936	4822 117 12971	15R 5% 0,62W
3938	4822 051 30479	47R 5% 0,062W
3939	4822 051 30101	100R 5% 0,062W
3940	4822 051 30101	100R 5% 0,062W
3941	4822 051 30101	100R 5% 0,062W
3942	4822 051 30101	100R 5% 0,062W
3947	4822 117 13632	100K 1% 0,62W
3950	4822 051 30223	22K 5% 0,062W
3951	4822 051 30103	10K 5% 0,062W
3952	4822 051 30103	10K 5% 0,062W
3953	4822 051 30103	10K 5% 0,062W
3954	4822 117 12925	47K 1% 0,063W
3955	4822 051 30223	22K 5% 0,062W
3957	4822 117 13632	100K 1% 0,62W
3958	4822 117 13632	100K 1% 0,62W
3960	5322 117 13039	220K 1% 0,063W
3961	4822 051 30151	150R 5% 0,062W
4901	4822 051 30008	0R JUMPER 0603
4903	4822 051 30008	0R JUMPER 0603
4904	4822 051 30008	0R JUMPER 0603

- COILS & FILTERS -

1901	2422 543 01241	CRYSTAL 11,2896MHz
5900	4822 157 71206	FERRITE BEAD
5901	4822 157 71206	FERRITE BEAD
5902	4822 157 71206	FERRITE BEAD
5903	4822 157 71206	FERRITE BEAD
5904	4822 157 71206	FERRITE BEAD
5905	4822 157 71206	FERRITE BEAD
5906	4822 157 71206	FERRITE BEAD
5907	4822 157 71206	FERRITE BEAD
5908	4822 157 71206	FERRITE BEAD

ELECTRICAL PARTSLIST - MP3 DECODER BOARD**- COILS & FILTERS -**

5911	4822 157 11074	100µH
5912	4822 157 11074	100µH
5913	4822 157 11074	100µH
5914	4822 157 11074	100µH

- IC & TRANSISTORS -

7900	9352 629 68135	TDA3663/N1
7901	9322 111 68668	TPS7201QPWR
7902	9322 171 79671	TMS320DA150GGU160
7903	9351 960 10118	74LVC139PW
7904	8240 005 53740	FLASH MEMORY M29W800AT
7905	9322 171 26668	74LCX14T
7906	9322 171 14668	AS4LC256K16E0-60JC R
7907	9322 158 50668	74LCX74T
7910	4822 130 60511	BC847B

Note: Only these parts mentioned in the list are normal service parts.

ELECTRICAL PARTSLIST - AF BOARD**- MISCELLANEOUS -**

1203	▲	4822 071 53152	FUSE 3,15A
1204	▲	4822 071 53152	FUSE 3,15A
1500		4822 267 10731	CONNECTOR 6P
1501		4822 265 11183	CONNECTOR 4P
1502		4822 267 10958	CONNECTOR 50
1503		4822 265 11184	CONNECTOR 18P

- CAPACITORS -

2200		5322 121 42386	100nF 5% 63V
2201		5322 121 42386	100nF 5% 63V
2202		5322 121 42386	100nF 5% 63V
2203		5322 121 42386	100nF 5% 63V
2204		4822 124 12012	4700µF 20% 25V
2205		3198 017 34730	47nF 10% X7R 16V
2206		4822 124 40433	47µF 20% 25V
2207		4822 126 14305	100nF 10% X7R 16V
2208		4822 126 14305	100nF 10% X7R 16V
2209		5322 126 11583	10nF 10% X7R 50V
2210		4822 124 40207	100µF 20% 25V
2250		4822 124 40196	2,2µF 20% 50V
2251		4822 124 40196	220µF 20% 16V
2252		4822 124 40433	47µF 20% 25V
2254		4822 124 40433	47µF 20% 25V
2304		4822 121 42408	220nF 5% 63V
2305		4822 121 42408	220nF 5% 63V
2306		4822 121 42408	220nF 5% 63V
2307		4822 121 42408	220nF 5% 63V
2309		3198 017 34730	47nF 10% X7R 16V
2310		3198 017 34730	47nF 10% X7R 16V
2312		2020 012 93743	15µF 20% 50V
2313		2020 012 93743	15µF 20% 50V
2314		2020 012 93743	15µF 20% 50V
2315		2020 012 93743	15µF 20% 50V
2316		4822 124 40433	47µF 20% 25V
2317		4822 124 40433	47µF 20% 25V
2318		3198 016 36810	680pF 5% NP0 25V
2319		3198 016 36810	680pF 5% NP0 25V
2320		4822 124 81151	22µF 50V
2324		4822 124 40248	10µF 20% 63V
2325		4822 124 40248	10µF 20% 63V
2332		4822 126 13879	220nF +80-20% 16V
2500		4822 124 41407	0,47µF 20% 63V
2501		4822 124 41407	0,47µF 20% 63V
2502		4822 126 13881	470pF 5% 50V
2503		4822 126 13881	470pF 5% 50V
2504		4822 124 41407	0,47µF 20% 63V
2505		4822 124 41407	0,47µF 20% 63V
2506		4822 126 13881	470pF 5% 50V

- CAPACITORS -

2507		4822 126 13881	470pF 5% 50V
2508		3198 017 41050	1 F 10% Y5V 10V
2509		3198 017 41050	1 F 10% Y5V 10V
2510		4822 126 13193	4,7nF10% X7R 63V
2511		4822 126 13193	4,7nF10% X7R 63V
2512		4822 126 14305	100nF 10% X7R 16V
2513		4822 126 14305	100nF 10% X7R 16V
2514		3198 017 34730	47nF 10% X7R 16V
2515		3198 017 34730	47nF 10% X7R 16V
2516		3198 016 31020	1nF 10% NP0 25V
2517		3198 016 31020	1nF 10% NP0 25V
2520		4822 122 31765	100pF 2% NP0 63V
2521		4822 122 33195	100pF 10% 50V
2522		4822 124 41584	100µF 20% 10V
2523		4822 124 40196	220µF 20% 16V
2524		4822 124 41407	0,47µF 20% 63V
2526		4822 124 81151	22µF 50V
2527		4822 124 41584	100µF 20% 10V
2528		4822 124 21913	1µF 20% 63V
2529		4822 124 21913	1µF 20% 63V
2530		4822 126 14549	33nF 10% X7R 16V
2532		4822 126 14494	22nF 10% X7R 25V
2534		4822 126 14305	100nF 10% X7R 16V
2537		4822 126 14305	100nF 10% X7R 16V
2540		4822 124 80195	470µF 20% 10V
2541		4822 124 40248	10µF 20% 63V
2542		4822 124 40248	10µF 20% 63V
2545		3198 017 44740	470nF 10% Y5V 10V
2546		4822 126 14305	100nF 10% X7R 16V
2548		4822 126 14305	100nF 10% X7R 16V
2549		4822 124 22652	2,2µF 20% 50V
2551		4822 126 14491	2,2µF 10V 0805
2552		4822 126 14305	100nF 10% X7R 16V
2553		4822 126 14305	100nF 10% X7R 16V
2557		4822 124 22652	2,2µF 20% 50V
2558		4822 124 22652	2,2µF 20% 50V
2559		3198 016 31020	1nF 10% NP0 25V
2560		3198 016 31020	1nF 10% NP0 25V
2561		3198 016 31020	1nF 10% NP0 25V
2562		3198 016 31020	1nF 10% NP0 25V
2563		3198 016 31020	1nF 10% NP0 25V
2564		4822 126 14305	100nF 10% X7R 16V
2566		4822 126 14305	100nF 10% X7R 16V
2567		4822 126 14305	100nF 10% X7R 16V
2568		4822 126 14305	100nF 10% X7R 16V
2569		4822 126 14305	100nF 10% X7R 16V
2571		4822 124 40207	100 F 20% 25V
2572		4822 126 14494	22nF 10% X7R 25V
2573		4822 126 14494	22nF 10% X7R 25V
2575		5322 126 11579	3,3nF 10% X7R 63V

ELECTRICAL PARTSLIST - AF BOARD**- RESISTORS -**

3200	4822 051 30333	33K 5% 0,062W
3201	4822 051 30333	33K 5% 0,062W
3202	4822 116 83883	470R 5% 0,5W
3203	4822 117 12925	47K 1% 0,063W
3204	4822 051 30103	10K 5% 0,062W
3205	4822 051 30103	10K 5% 0,062W
3209	4822 051 30223	22K 5% 0,062W
3210	4822 051 30472	4,7K 5% 0,062W
3211	4822 116 52213	180R 5% 0,5W
3212	4822 116 52213	180R 5% 0,5W
3250	4822 050 24708	4,7R 1% 0,6W
3251	4822 051 30332	3,3K 5% 0,062W
3252	4822 116 52231	820R 5% 0,5W
3253	4822 116 52219	330R 5% 0,5W
3254	4822 116 83883	470R 5% 0,5W
3255	4822 116 52226	560R 5% 0,5W
3256	4822 050 24708	4,7R 1% 0,6W
3257	4822 050 24708	4,7R 1% 0,6W
3258	4822 050 24708	4,7R 1% 0,6W
3259	4822 117 12925	47K 1% 0,063W
3260	4822 050 11002	1K 1% 0,4W
3261	4822 051 30103	10K 5% 0,062W
3262	4822 116 52226	560R 5% 0,5W
3263	4822 050 24708	4,7R 1% 0,6W
3264	4822 050 24708	4,7R 1% 0,6W
3265	4822 116 52226	560R 5% 0,5W
3266	4822 116 81154	2,2R 5% 0,5W
3270	4822 116 81154	2,2R 5% 0,5W
3271	4822 116 81154	2,2R 5% 0,5W
3272	4822 051 30102	1K 5% 0,062W
3273	4822 051 30332	3,3K 5% 0,062W
3276	4822 051 30471	470R 5% 0,062W
3277	4822 116 52231	820R 5% 0,5W
3278	4822 051 30102	1K 5% 0,062W
3280	4822 116 83876	270R 5% 0,5W
3281	4822 116 83876	270R 5% 0,5W
3282	4822 116 83883	470R 5% 0,5W
3283	4822 051 30102	1K 5% 0,062W
3286	4822 117 12925	47K 1% 0,063W
3291	4822 051 30102	1K 5% 0,062W
3304	4822 116 52289	5,6K 5% 0,5W
3305	4822 116 52289	5,6K 5% 0,5W
3306	4822 051 30472	4,7K 5% 0,062W
3307	4822 051 30472	4,7K 5% 0,062W
3308	4822 050 21003	10K 1% 0,6W
3309	4822 050 21003	10K 1% 0,6W
3310	4822 050 21003	10K 1% 0,6W
3311	4822 050 21003	10K 1% 0,6W
3312	4822 117 13613	2,2R 5% 0603
3313	4822 117 13613	2,2R 5% 0603

- RESISTORS -

3314	4822 117 13613	2,2R 5% 0603
3315	4822 117 13613	2,2R 5% 0603
3318	4822 051 30102	1K 5% 0,062W
3319	4822 051 30102	1K 5% 0,062W
3320	4822 051 30223	22K 5% 0,062W
3321	4822 051 30223	22K 5% 0,062W
3323	4822 116 52283	4,7K 5% 0,5W
3327	4822 117 12925	47K 1% 0,063W
3328	4822 117 12925	47K 1% 0,063W
3329	4822 117 13632	100K 1% 0,062W
3330	4822 051 30101	100R 5% 0,062W
3331	4822 117 12891	220K 1%
3332	4822 117 12902	8,2K 1% 0,063W
3348	4822 117 12903	1,8K 1% 0,063W
3349	4822 116 83883	470R 5% 0,5W
3350	4822 117 12968	820R 5% 0,62W
3351	4822 117 12891	220K 1%
3500	4822 051 30682	6,8K 5% 0,062W
3501	4822 051 30682	6,8K 5% 0,062W
3502	4822 051 30223	22K 5% 0,062W
3503	4822 051 30223	22K 5% 0,062W
3504	4822 051 30472	4,7K 5% 0,062W
3505	4822 051 30472	4,7K 5% 0,062W
3506	4822 117 12903	1,8K 1% 0,063W
3507	4822 117 12903	1,8K 1% 0,063W
3508	4822 051 30102	1K 5% 0,062W
3509	4822 051 30102	1K 5% 0,062W
3510	4822 051 30223	22K 5% 0,062W
3511	4822 051 30223	22K 5% 0,062W
3512	4822 051 30472	4,7K 5% 0,062W
3513	4822 051 30472	4,7K 5% 0,062W
3516	4822 051 30471	470R 5% 0,062W
3517	4822 051 30471	470R 5% 0,062W
3518	4822 051 30102	1K 5% 0,062W
3519	4822 050 11002	1K 1% 0,4W
3523	4822 116 83883	470R 5% 0,5W
3524	4822 116 83883	470R 5% 0,5W
3527	4822 117 12925	47K 1% 0,063W
3528	4822 051 30102	1K 5% 0,062W
3529	4822 051 30223	22K 5% 0,062W
3530	4822 116 83872	220R 5% 0,5W
3531	4822 116 83883	470R 5% 0,5W
3532	4822 051 30471	470R 5% 0,062W
3533	4822 117 12925	47K 1% 0,063W
3534	4822 117 12925	47K 1% 0,063W
3535	4822 117 13632	100K 1% 0,062W
3536	4822 117 13632	100K 1% 0,062W
3537	4822 051 30563	56K 5% 0,062W
3538	4822 051 30563	56K 5% 0,062W
3539	4822 051 30333	33K 5% 0,062W

ELECTRICAL PARTSLIST - AF BOARD**- RESISTORS -**

3540	4822 051 30103	10K 5% 0,062W
3541	4822 117 12902	8,2K 5% 0,062W
3542	4822 051 30153	15K 5% 0,062W
3543	4822 051 30273	27K 5% 0,062W
3544	4822 051 30683	68K 5% 0,062W
3545	4822 051 30103	10K 5% 0,062W
3546	4822 116 52245	150K 5% 0,5W
3547	4822 051 30154	150K 5% 0,062W
3548	4822 117 13632	100K 1% 0,062W
3549	4822 117 13632	100K 1% 0,062W
3550	4822 051 30102	1K 5% 0,062W
3551	4822 050 11002	1K 1% 0,4W
3552	4822 051 30101	100R 5% 0,062W
3553	4822 051 30101	100R 5% 0,062W
3554	4822 051 30154	150K 5% 0,062W
3555	4822 051 30154	150K 5% 0,062W
3556	4822 051 30102	1K 5% 0,062W
3557	4822 050 11002	1K 1% 0,4W
3558	4822 051 30102	1K 5% 0,062W
3559	4822 116 83884	47K 5% 0,5W
3560	4822 051 30123	12K 5% 0,062W
3561	4822 051 30472	4,7K 5% 0,062W
3562	4822 051 30472	4,7K 5% 0,062W
3563	4822 051 30103	10K 5% 0,062W
3564	4822 117 12925	47K 1% 0,063W
3565	4822 051 30102	1K 5% 0,062W
3566	4822 051 30102	1K 5% 0,062W
3567	4822 051 30563	56K 5% 0,062W
3568	4822 051 30123	12K 5% 0,062W
3569	4822 117 12864	82K 5% 0,6W
3570	4822 050 21003	10K 1% 0,6W
3571	4822 051 30334	330K 5% 0,062W
3572	4822 051 30154	150K 5% 0,062W
3573	4822 116 83874	220K 5% 0,5W
3574	4822 116 52238	12K 5% 0,5W
3575	4822 051 30123	12K 5% 0,062W
3576	4822 116 52175	100R 5% 0,5W
3577	4822 116 52175	100R 5% 0,5W
3580	4822 117 12903	1,8K 1% 0,063W
3581	4822 051 30103	10K 5% 0,062W
3583	4822 051 30102	1K 5% 0,062W
3584	4822 051 30472	4,7K 5% 0,062W
3585	4822 051 30472	4,7K 5% 0,062W
3586	4822 051 30273	27K 5% 0,062W
3587	4822 051 30183	18K 5% 0,062W
3588	4822 051 30102	1K 5% 0,062W
3589	4822 051 30471	470R 5% 0,062W
3590	4822 051 30471	470R 5% 0,062W
3591	4822 051 30471	470R 5% 0,062W
3592	4822 051 30471	470R 5% 0,062W

- RESISTORS -

3594	4822 051 30102	1K 5% 0,062W
3595	4822 051 30101	100R 5% 0,062W
3596	4822 051 30103	10K 5% 0,062W
3597	4822 051 30562	5,6K 5% 0,063W
3598	4822 051 30103	10K 5% 0,062W
3599	4822 117 12891	220K 5% 0,062W
4301	4822 051 30008	OR JUMPER 0603
4501	4822 051 30008	OR JUMPER 0603
4502	4822 051 30008	OR JUMPER 0603
4504	4822 051 30008	OR JUMPER 0603
4505	4822 051 30008	OR JUMPER 0603
4506	4822 051 30008	OR JUMPER 0603
4508	4822 051 30008	OR JUMPER 0603
4509	4822 051 30008	OR JUMPER 0603
4515	4822 051 30008	OR JUMPER 0603
4516	4822 051 30008	OR JUMPER 0603
4517	4822 051 30008	OR JUMPER 0603
4518	4822 051 30008	OR JUMPER 0603
4519	4822 051 30008	OR JUMPER 0603
4520	4822 051 30008	OR JUMPER 0603

4521 4822 051 30008 OR JUMPER 0603

- COILS & FILTERS -

5300	4822 157 11837	0,36UH 10%
5301	4822 157 11837	0,36UH 10%
5302	4822 157 11837	0,36UH 10%
5303	4822 157 11837	0,36UH 10%
5500	2422 549 44393	IND FXD 100MHZ 2K7
5501	4822 157 10686	CHOKE COIL 0,47UH
5502	4822 157 62552	2,2UH
5503	4822 157 11074	100UH
5504	4822 157 11074	100UH
5505	2422 549 44919	IND FXD 100MHZ 600R
5506	2422 549 44919	IND FXD 100MHZ 600R
5507	2422 549 44393	IND FXD 100MHZ 2K7

- DIODES -

6200	4822 130 82079	D3SBA20
6202	4822 130 30621	1N4148
6204	4822 130 30621	1N4148
6205	4822 130 30621	1N4148
6206	4822 130 30621	1N4148
6208	4822 130 30621	1N4148
6211	4822 130 34278	BZX79-B6V8
6252	4822 130 34278	BZX79-B6V8
6257	3198 010 53380	BZX79-B3V3
6303	5322 130 34331	BAV70

ELECTRICAL PARTSLIST - AF BOARD**- DIODES -**

6502	4822 130 30621	1N4148
6503	4822 130 30621	1N4148
6504	4822 130 83757	BAS216
6505	4822 130 83757	BAS216
6506	4822 130 30621	1N4148
6507	4822 130 61219	BZX79-B10

- IC & TRANSISTORS -

7250	9322 139 24687	BDW94CFP
7252	5322 130 42755	BC847C
7253	4822 130 41246	BC327-25
7254	4822 130 60511	BC847B
7257	4822 130 41246	BC327-25
7258	4822 130 41246	BC327-25
7259	4822 130 60511	BC847B
7263	4822 130 60511	BC847B
7264	4822 130 41246	BC327-25
7265	4822 130 60511	BC847B
7267	4822 130 60373	BC856B
7268	4822 130 60373	BC856B
7269	4822 130 60511	BC847B
7300	9322 133 18682	AN7125P
7301	4822 130 60373	BC856B
7302	4822 130 60373	BC856B
7303	4822 130 60511	BC847B
7500	9322 150 74668	TDA7468D
7501	4822 209 60177	LM339D
7502	4822 209 63709	LM324D
7503	4822 130 41246	BC327-25
7504	4822 130 60511	BC847B
7505	5322 130 44647	BC368
7506	4822 130 40959	BC547B
7507	4822 130 40959	BC547B
7508	4822 130 40959	BC547B
7509	4822 130 60511	BC847B
7510	5322 130 44593	BC369
7511	4822 130 60511	BC847B

Note: Only these parts mentioned in the list are normal service parts.

ELECTRICAL PARTSLIST - MISCELLANEOUS**- MISCELLANEOUS -**

1001	▲	2422 030 00333	AC SOCKET (VDE)
1001	▲	4822 265 20706	AC SOCKET (UL)
1002		4822 276 13963	CD DOOR SWITCH
1003		2422 264 00446	LOUDSPEAKER 8 OHM 10W
1004		2422 264 00446	LOUDSPEAKER 8 OHM 10W
1005		2422 264 00396	LOUDSPEAKER TWEETER
1006		2422 264 00396	LOUDSPEAKER TWEETER
1007	▲	4822 277 21794	VOLTAGE SELECTOR (/11)
1070	▲	3140 118 33150	TFM POWER EI-57 230V
1070	▲	3140 118 33160	TFM POWER EI-57 120/230V
1070	▲	3140 118 33170	TFM POWER EI-57 120V UL
8201		3140 110 22130	FFC FOIL 4P 280MM AD
8202		3140 110 22140	FFC FOIL 5P 280MM AD
8204		3140 110 22180	FFC FOIL 18P 120MM AD
8206		3140 110 22190	FFC FOIL 06P 80MM AD
8401		3140 110 22170	FFC FOIL 11P 220MM AD
8403		3140 110 21940	FFC FOIL 10P 340MM AD
8405		3140 110 21950	FFC FOIL 12P 180MM AD

Note: Only these parts mentioned in the list are normal service parts.

